

# Mountain Top® Alu Liner

Installation manual



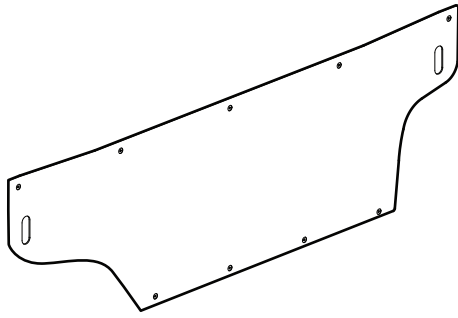
DOWNLOAD PDF





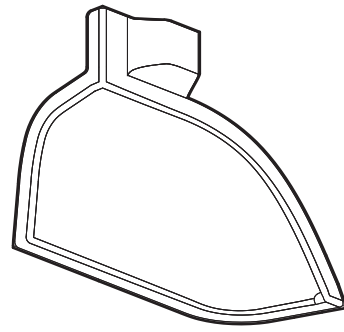
Parts

**A**



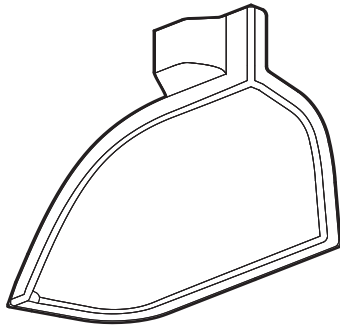
x 1

**B**



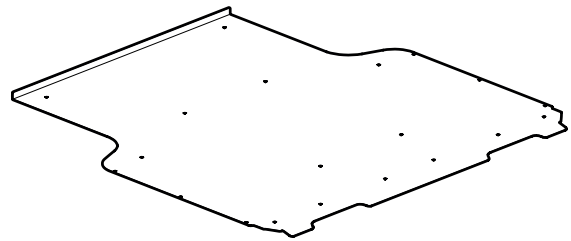
x 1

**C**



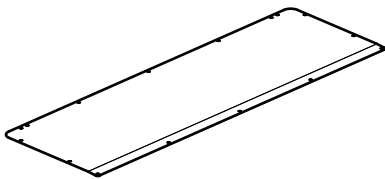
x 1

**D**



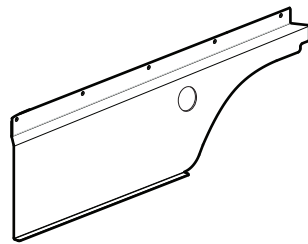
x 1

**E**



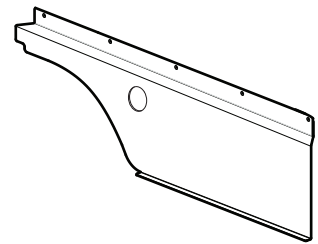
x 1

**F**



x 1

**G**

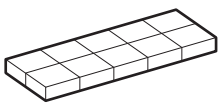


x 1



Kit # 913 037

**H**



x 1

**I**



x 55

**J**



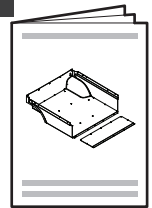
x 2

**K**



x 2

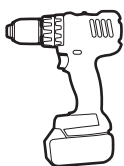
**L**



x 1



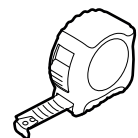
Tools and materials needed



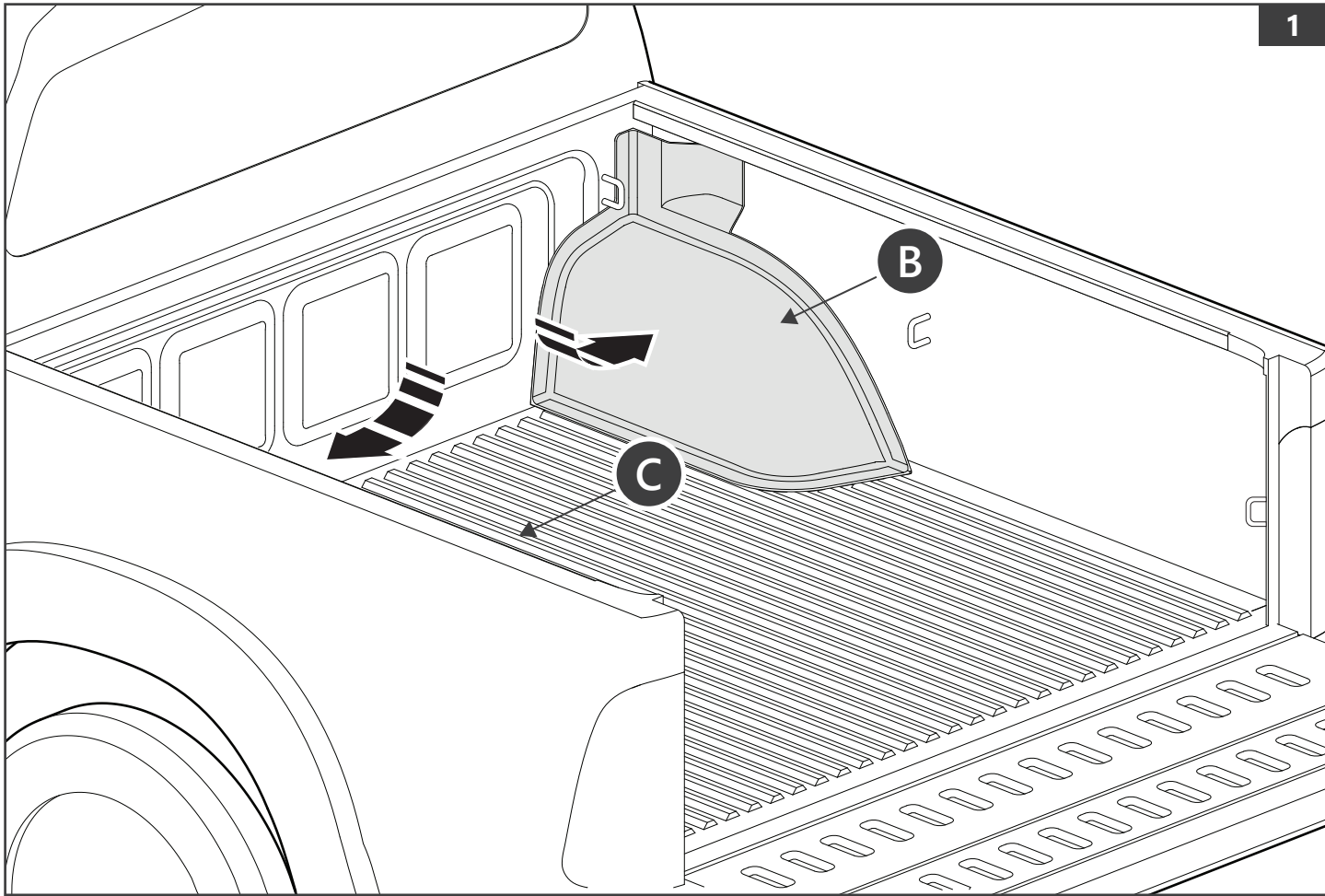
PH 1  
2300 RPM



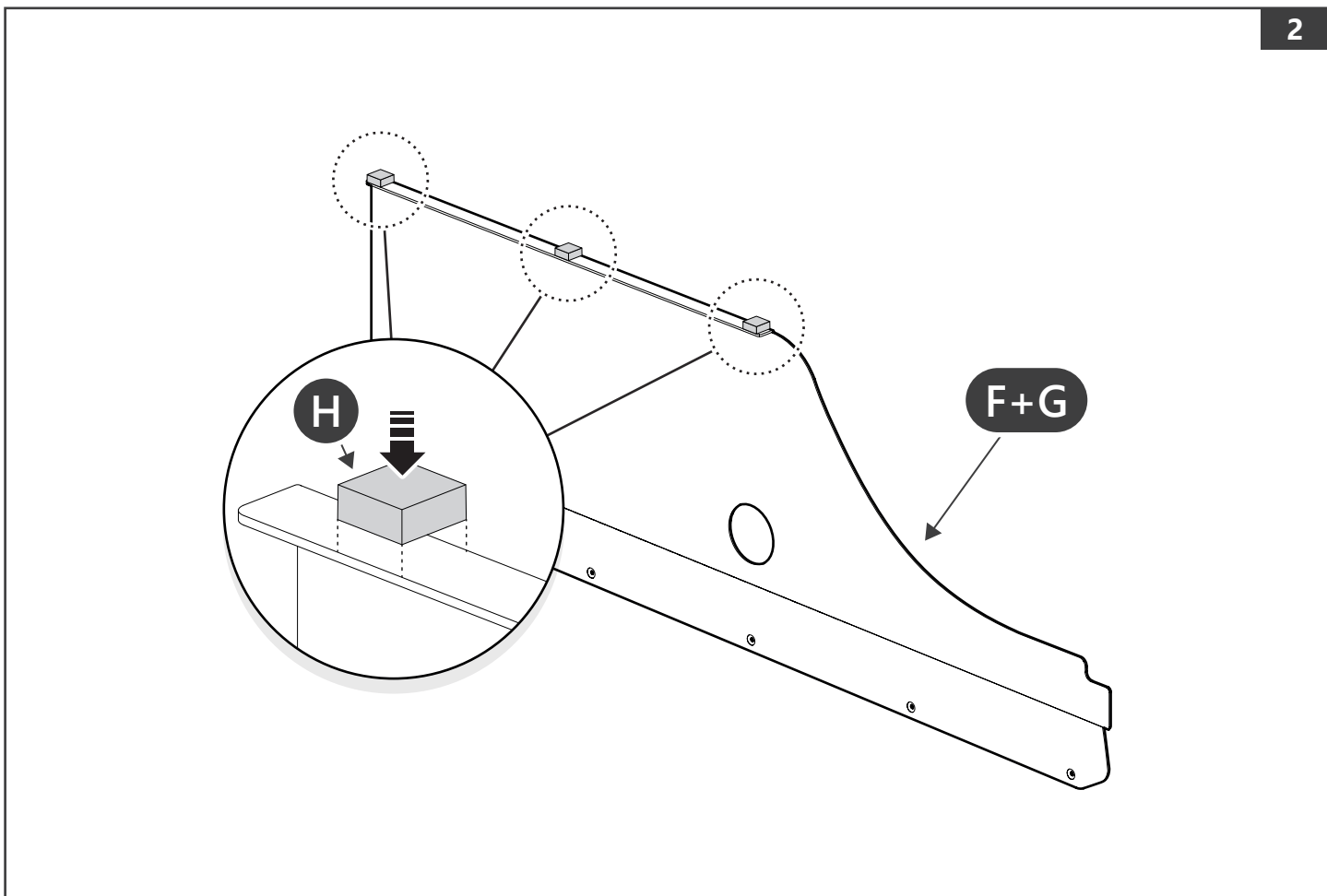
Rust protection  
Rostschutzmittel  
Anti-rouille  
Anti roest

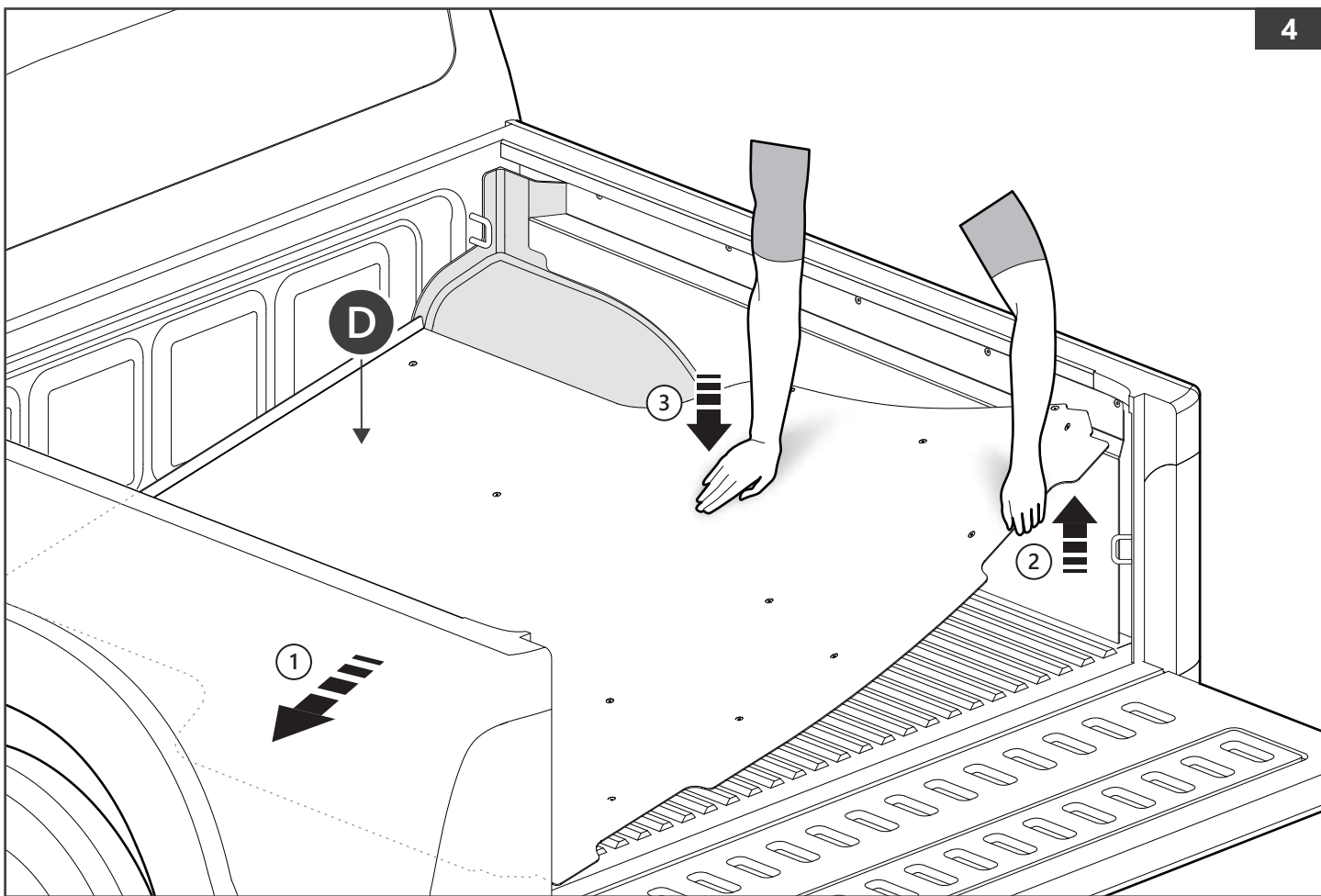
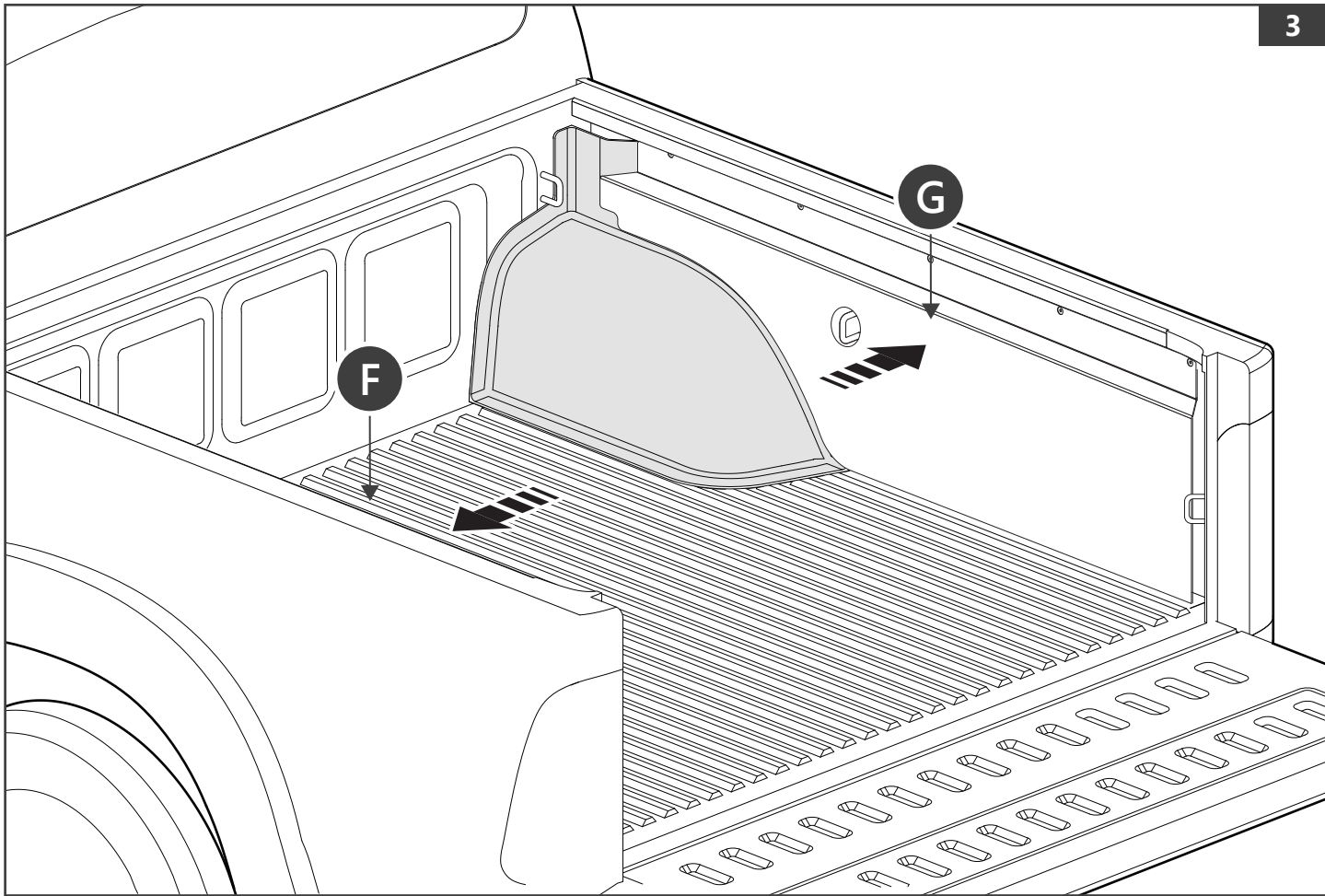


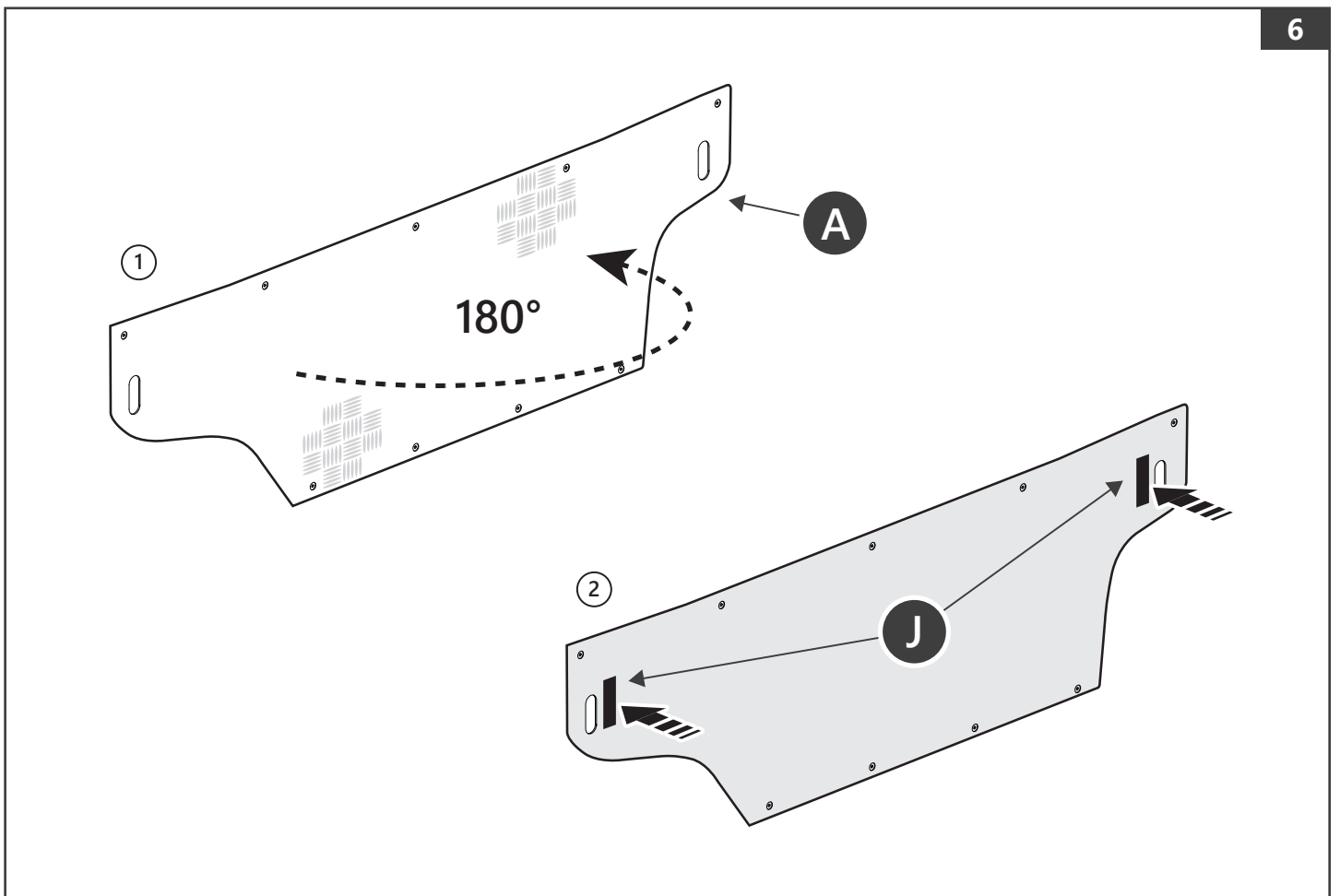
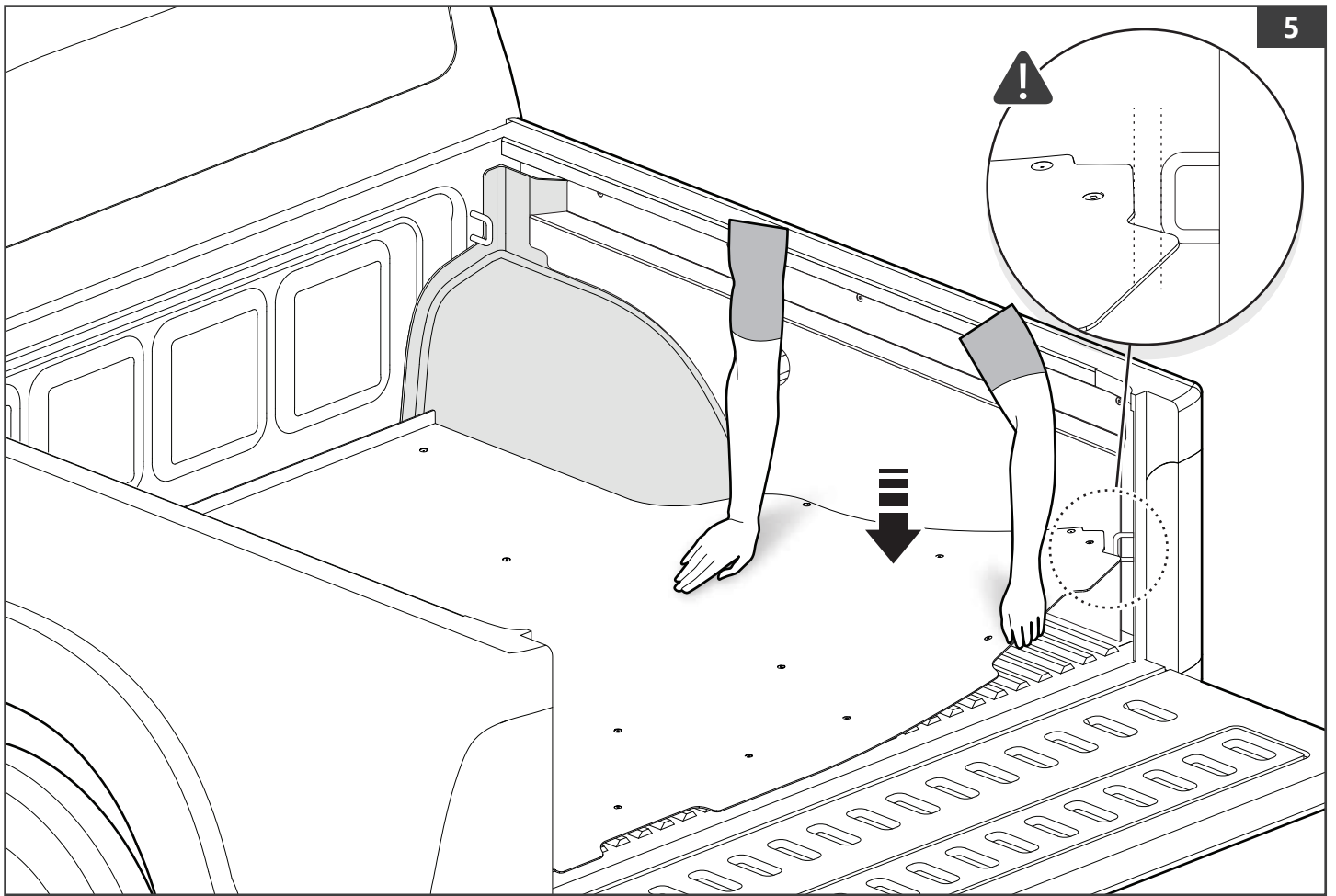
1

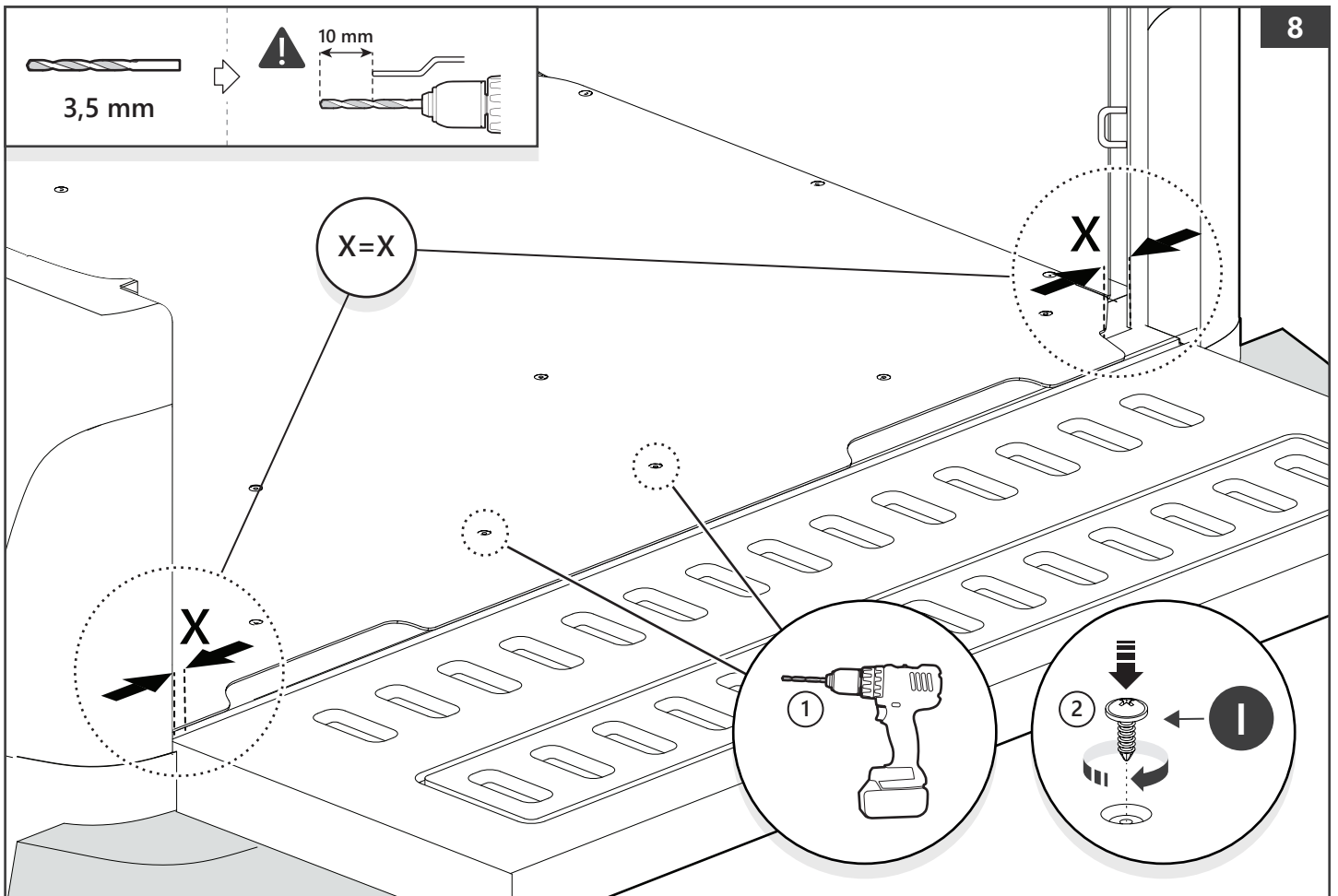
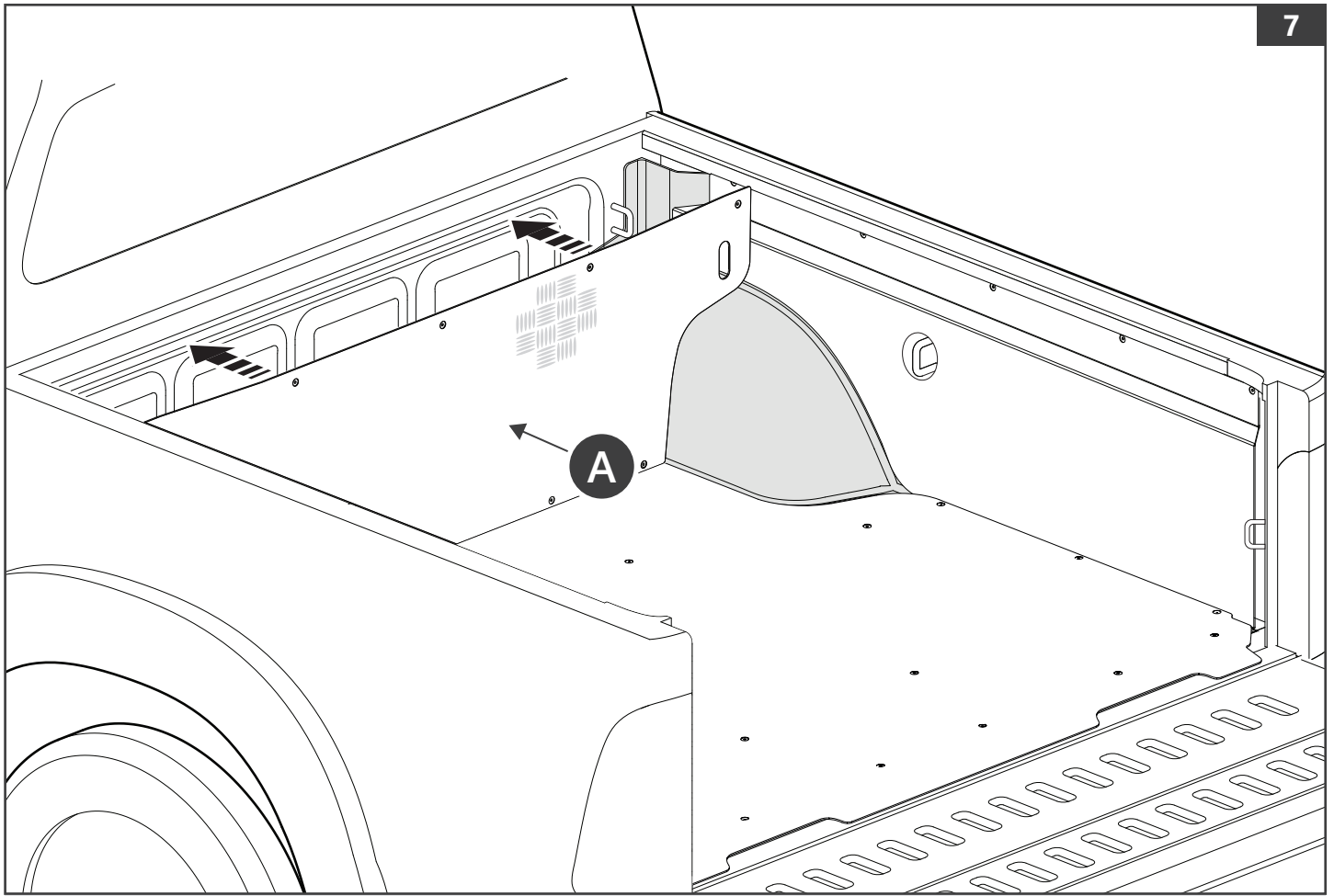


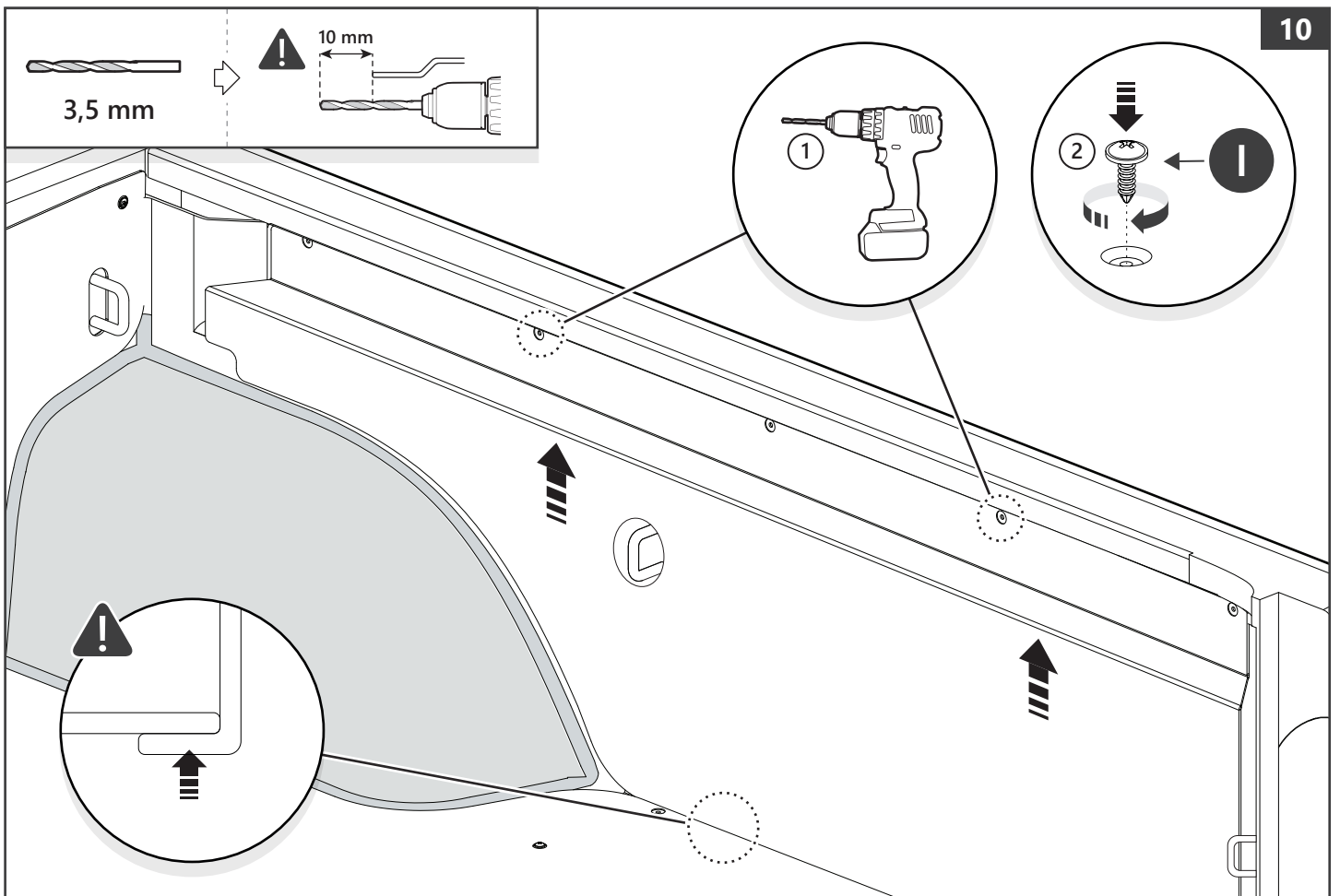
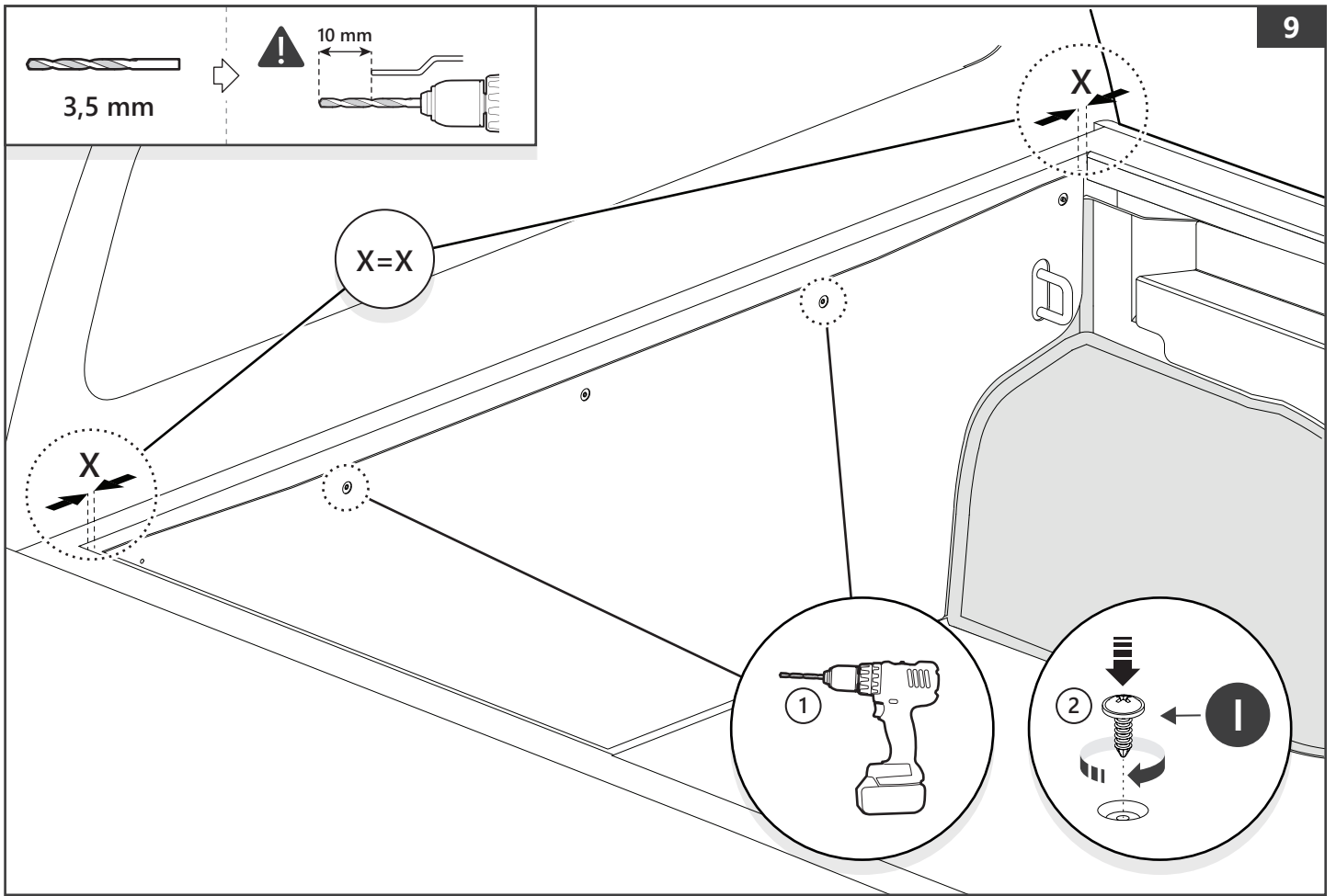
2



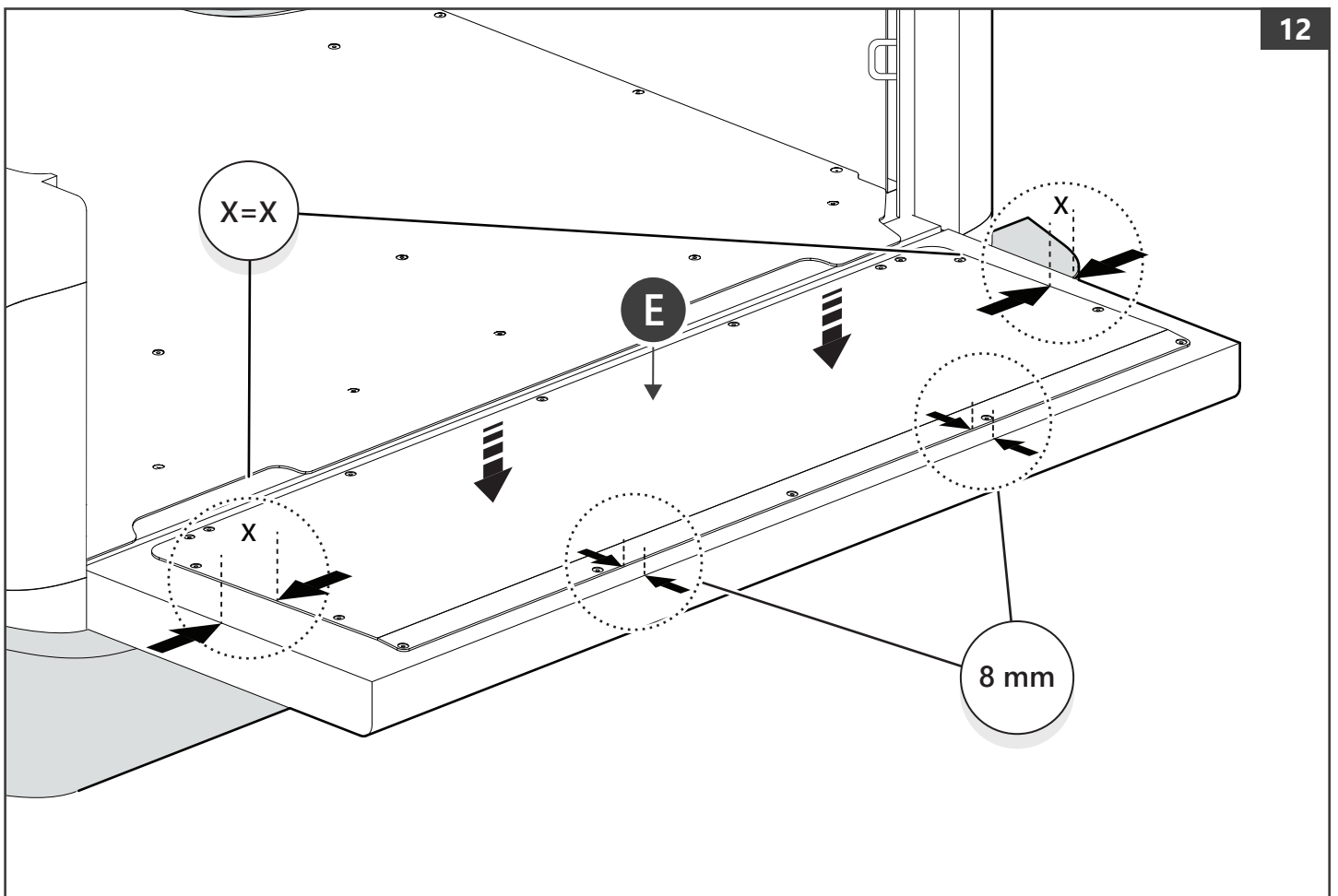
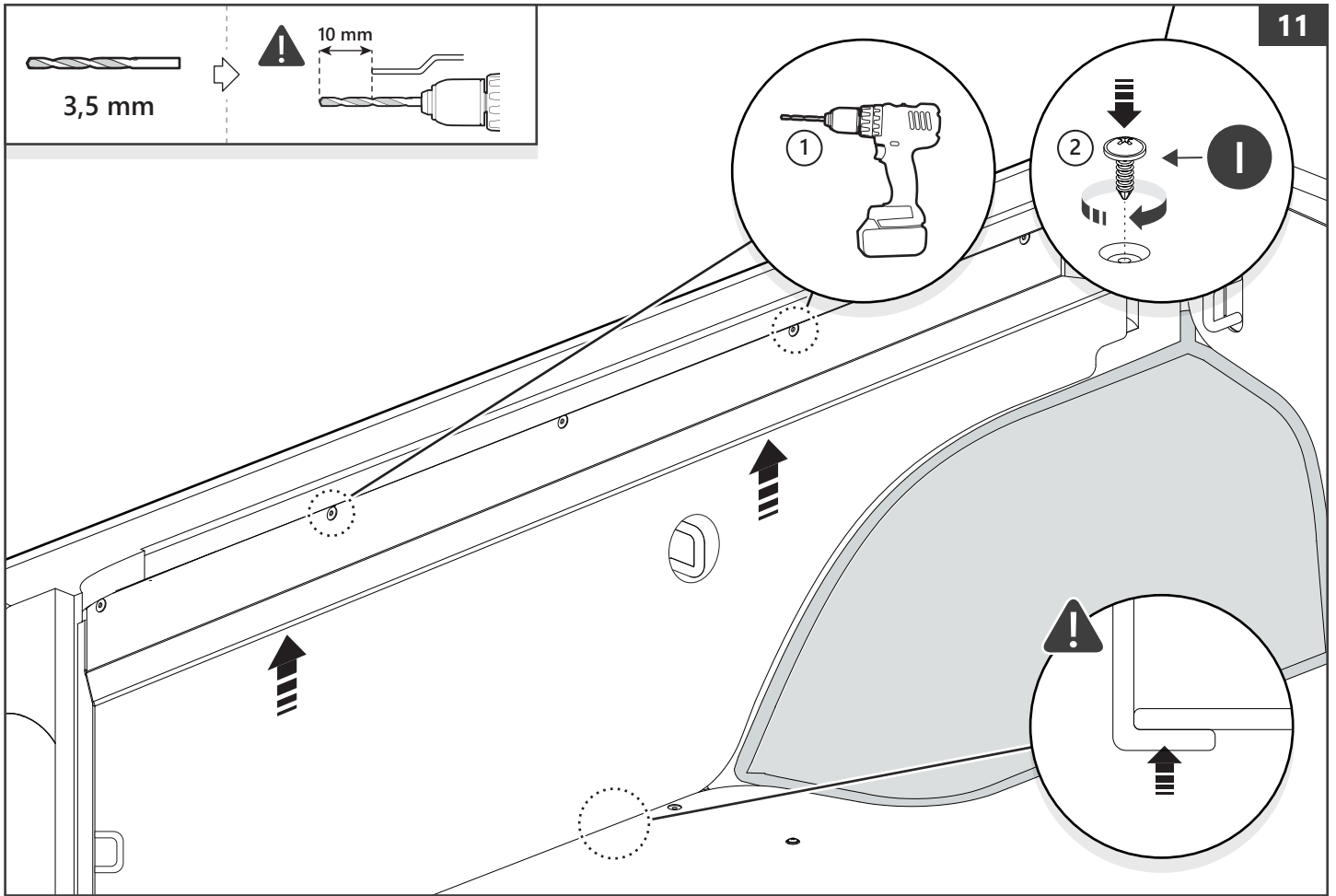


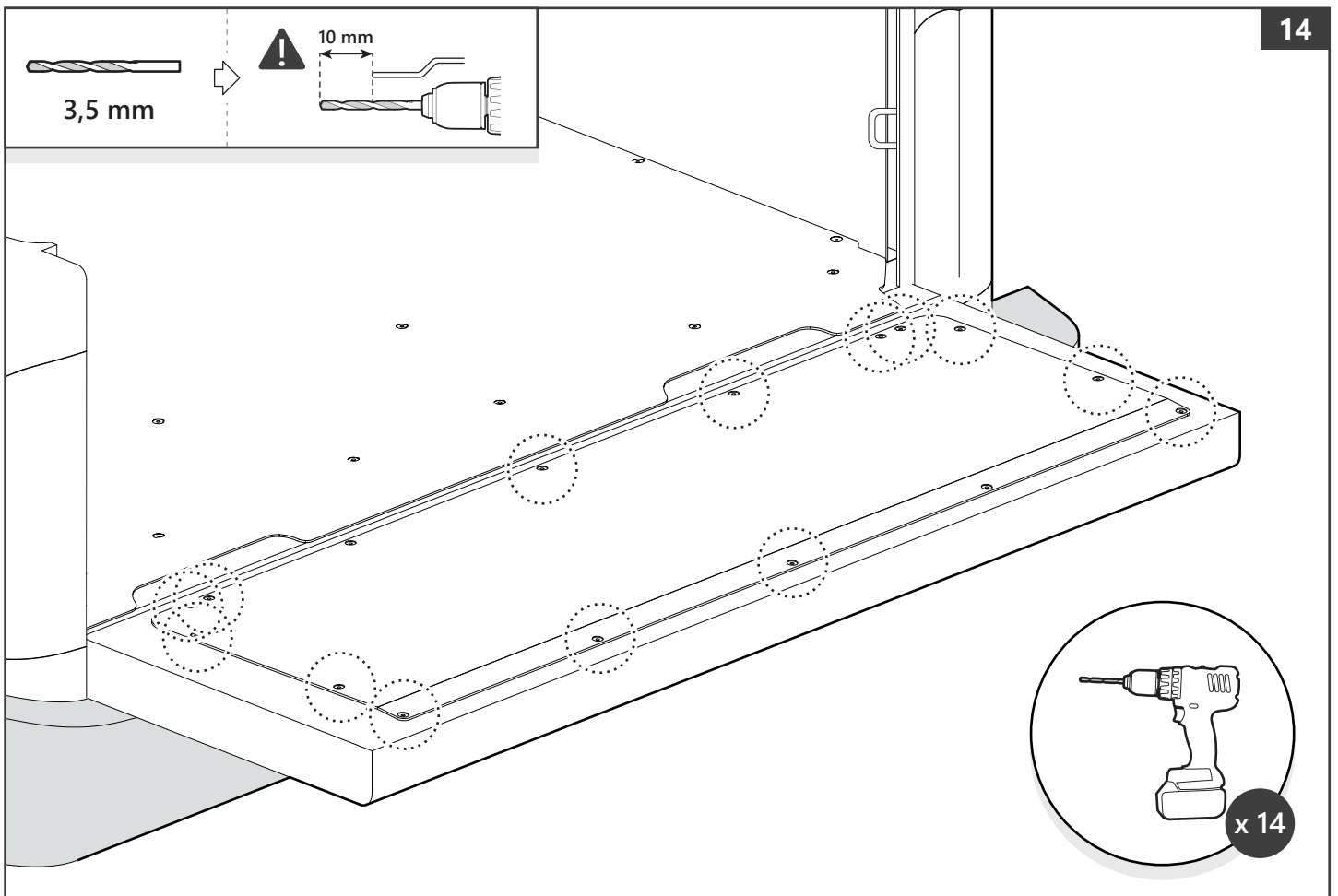
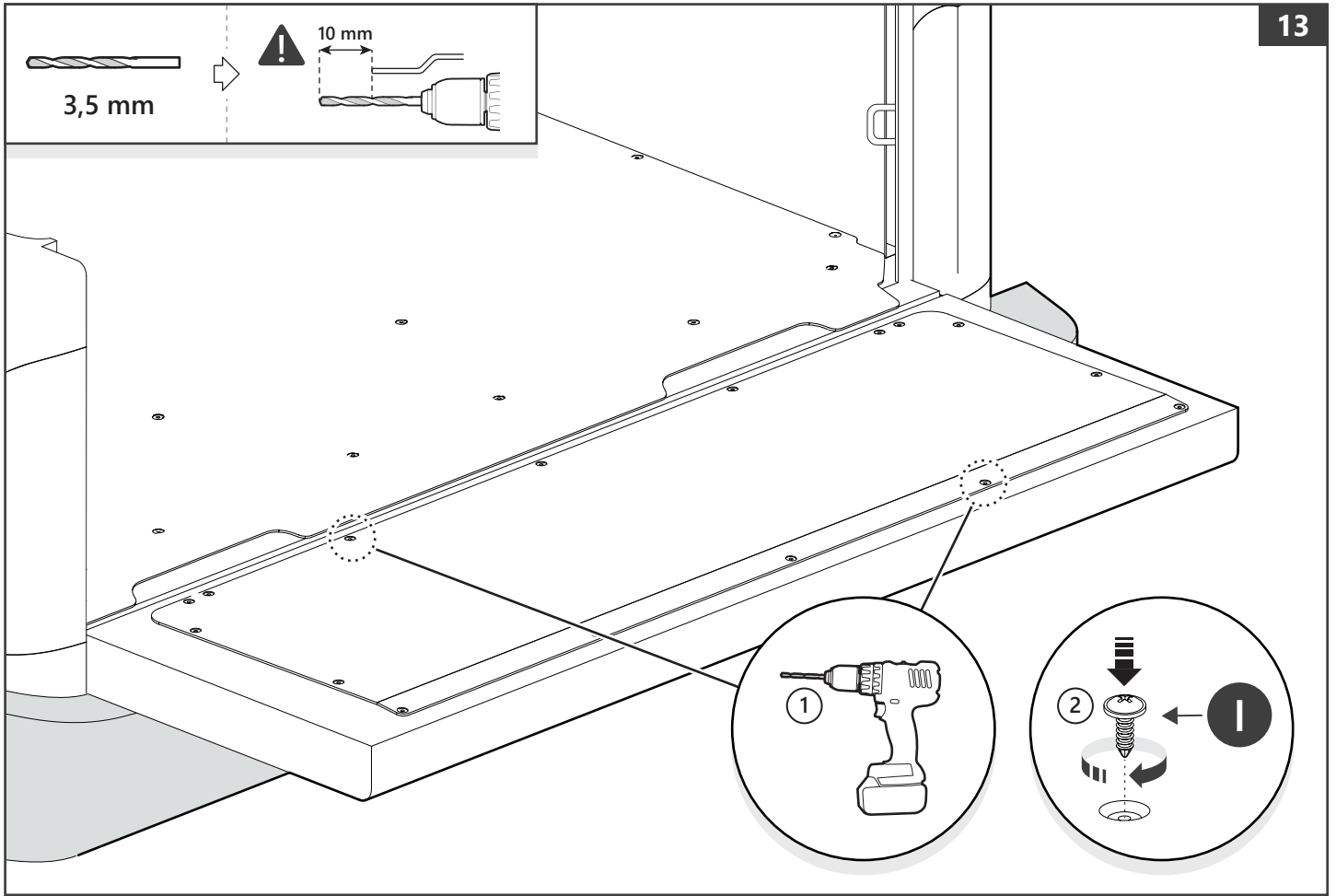


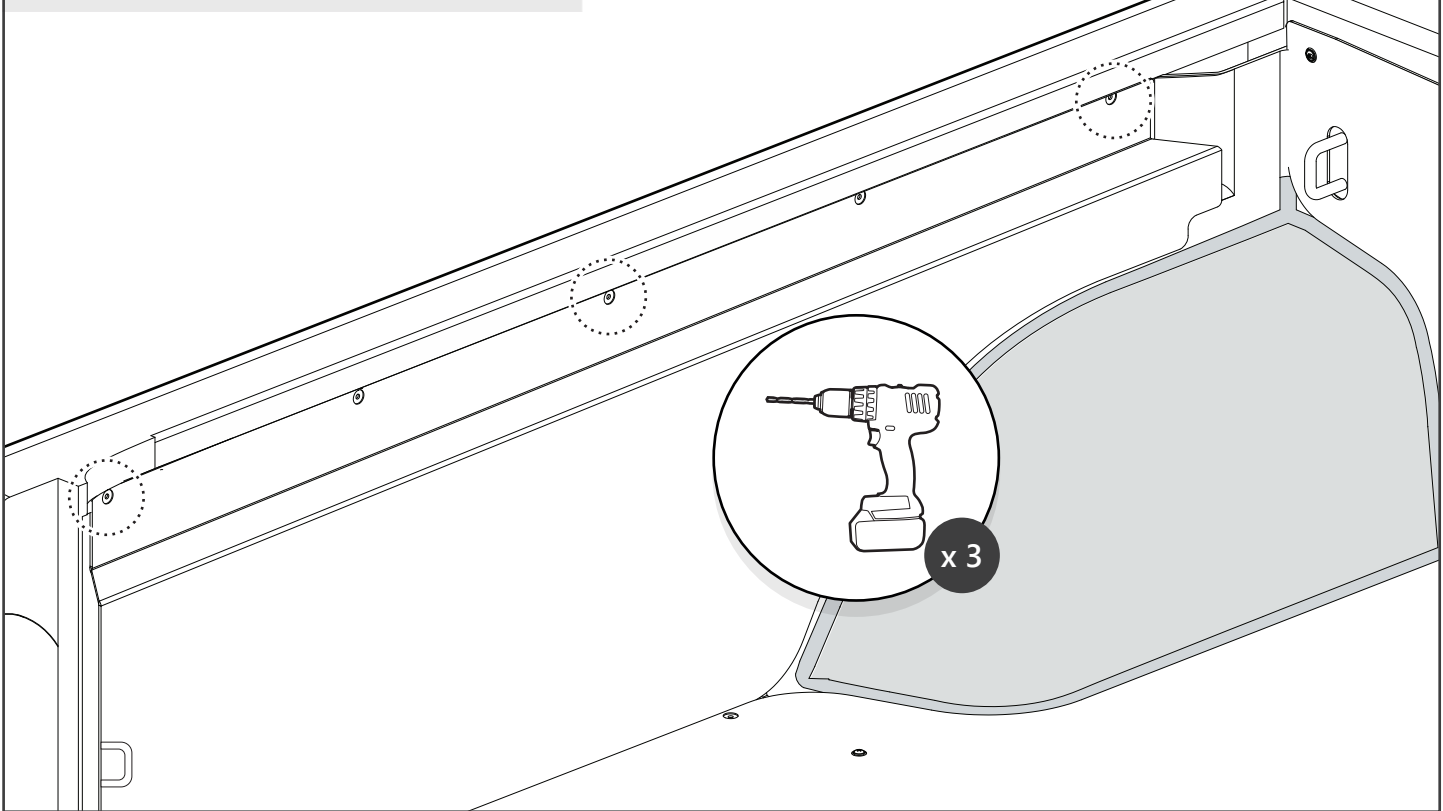
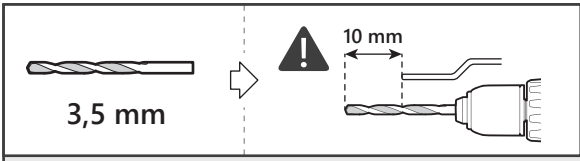
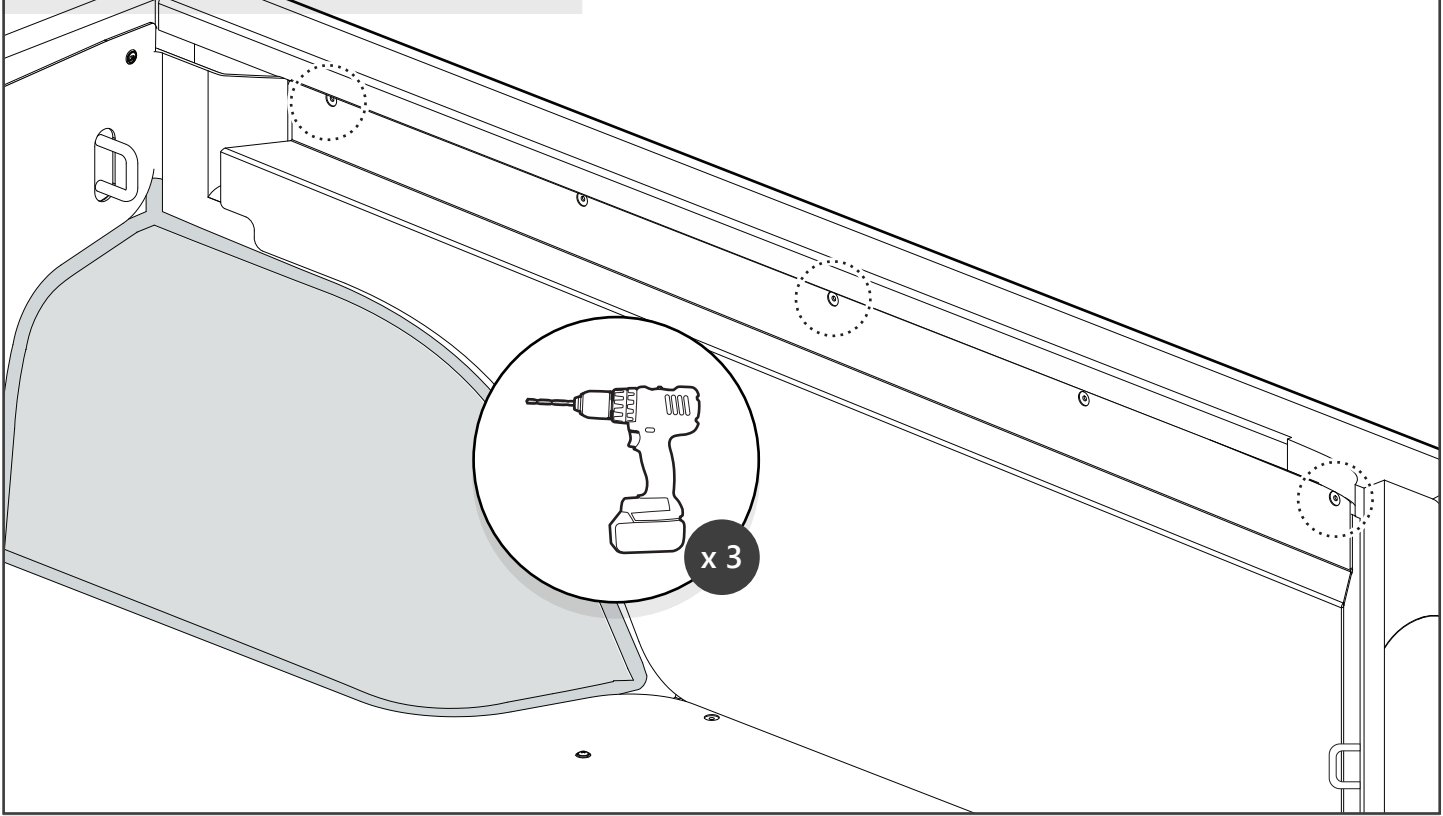
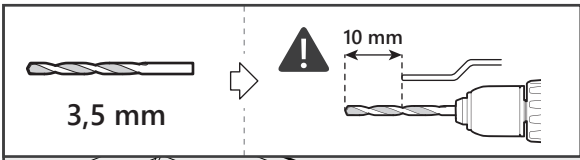


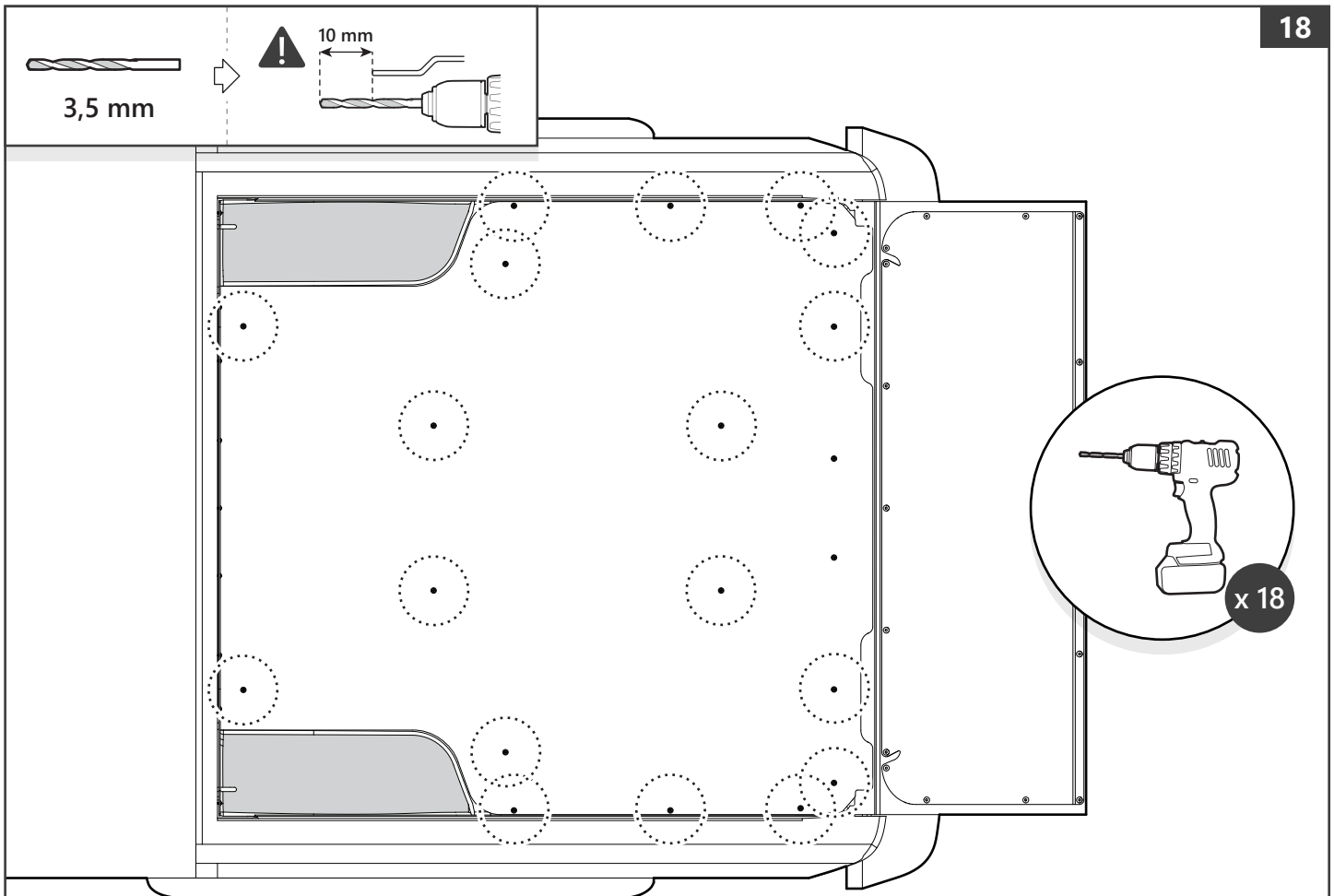
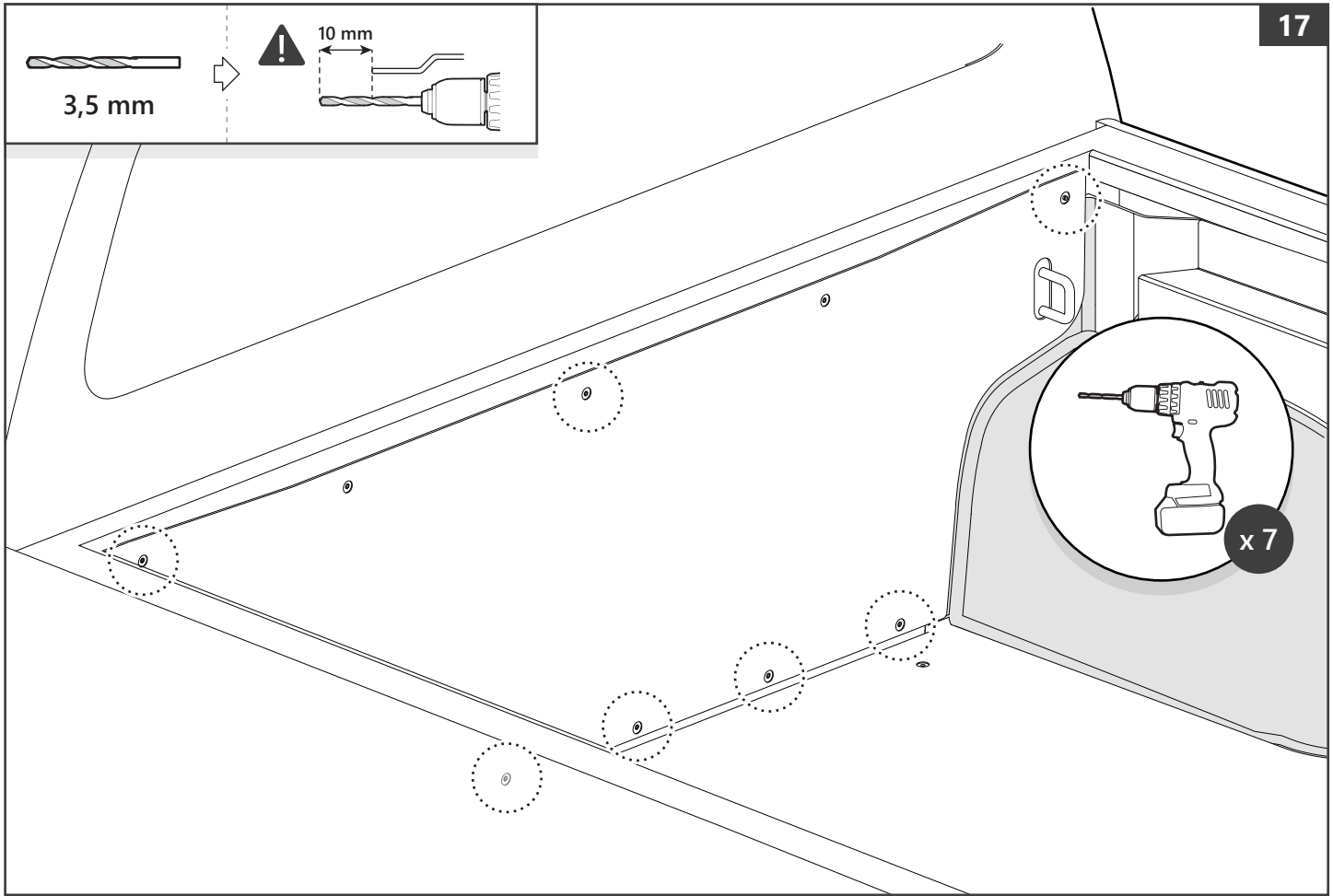


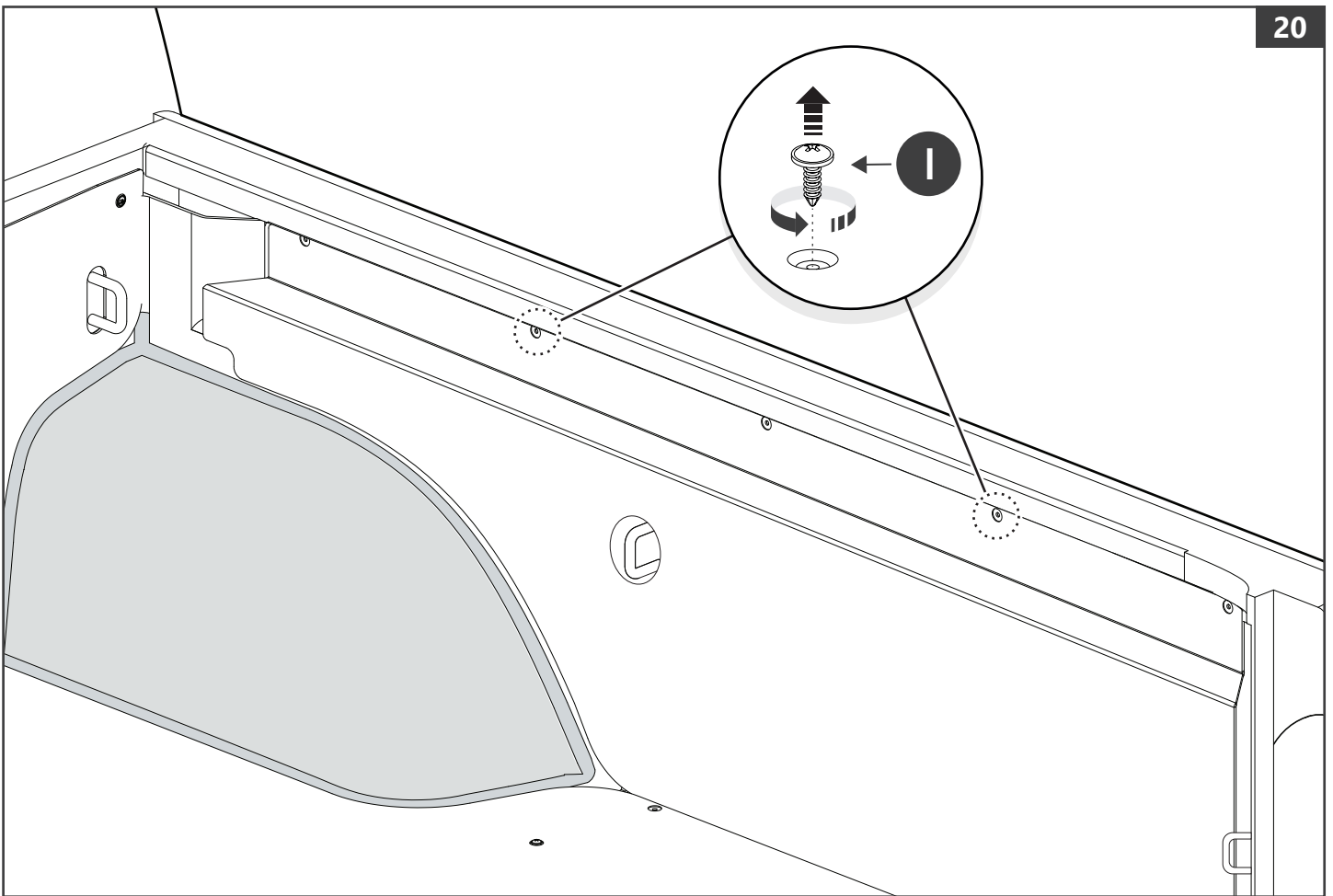
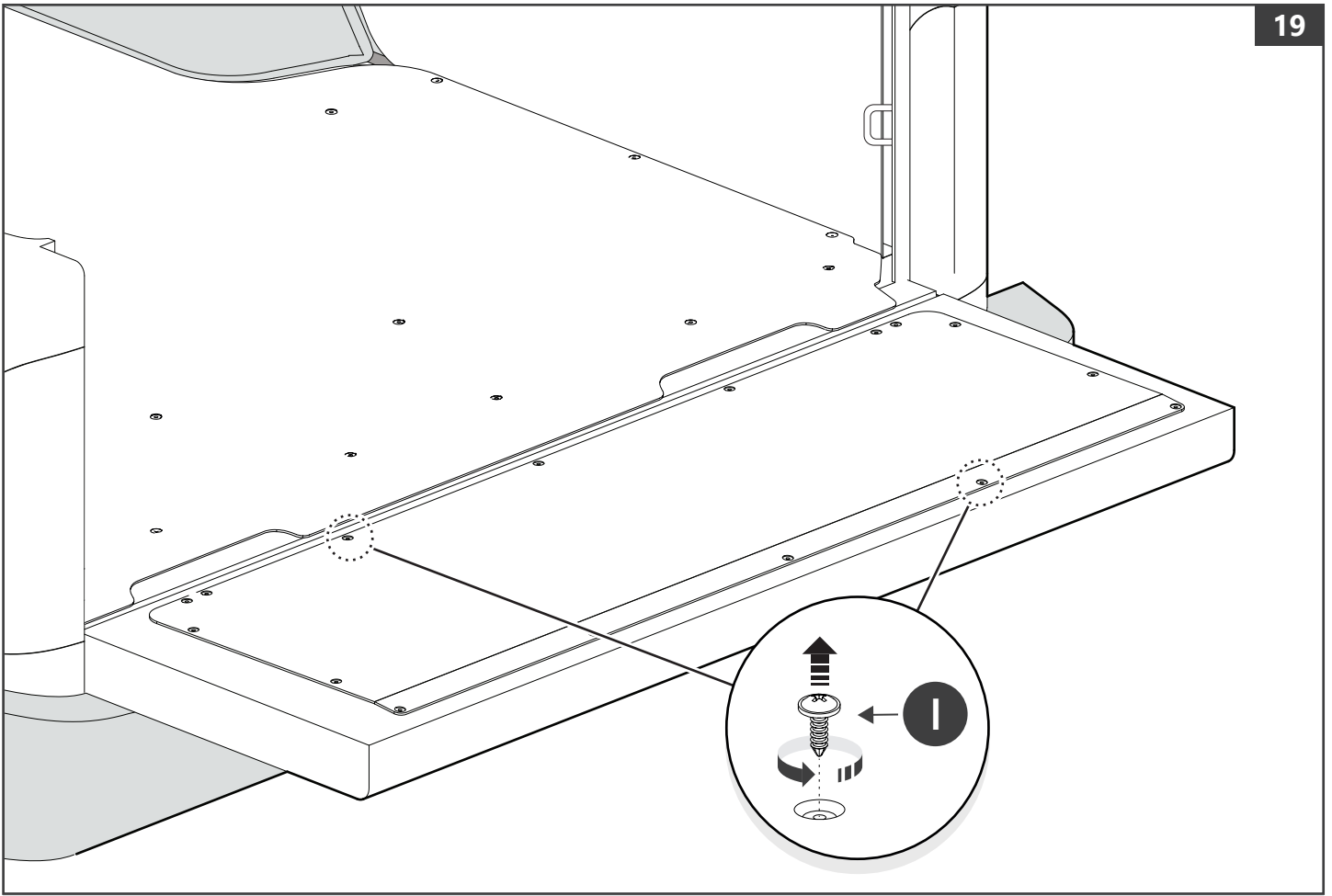


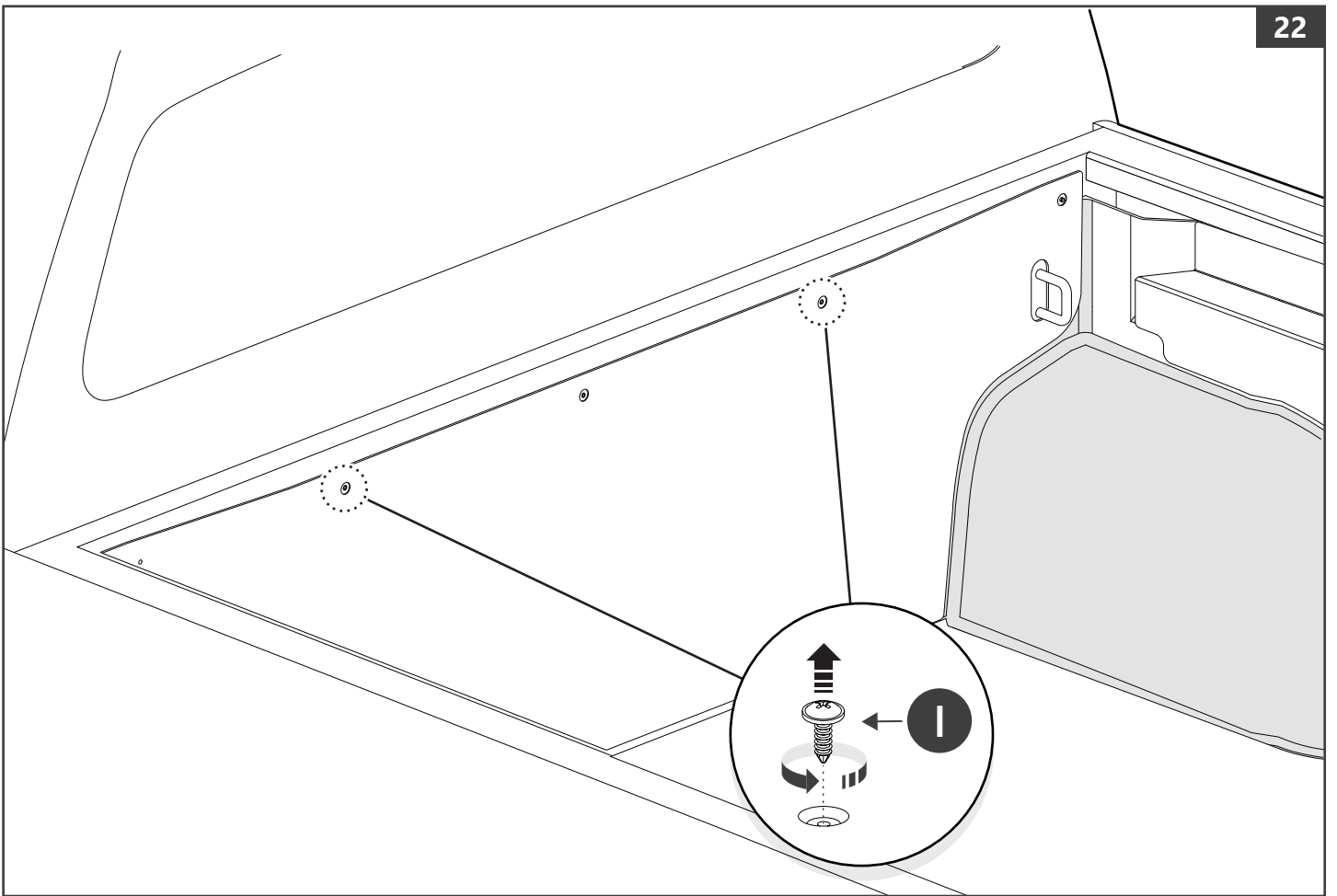
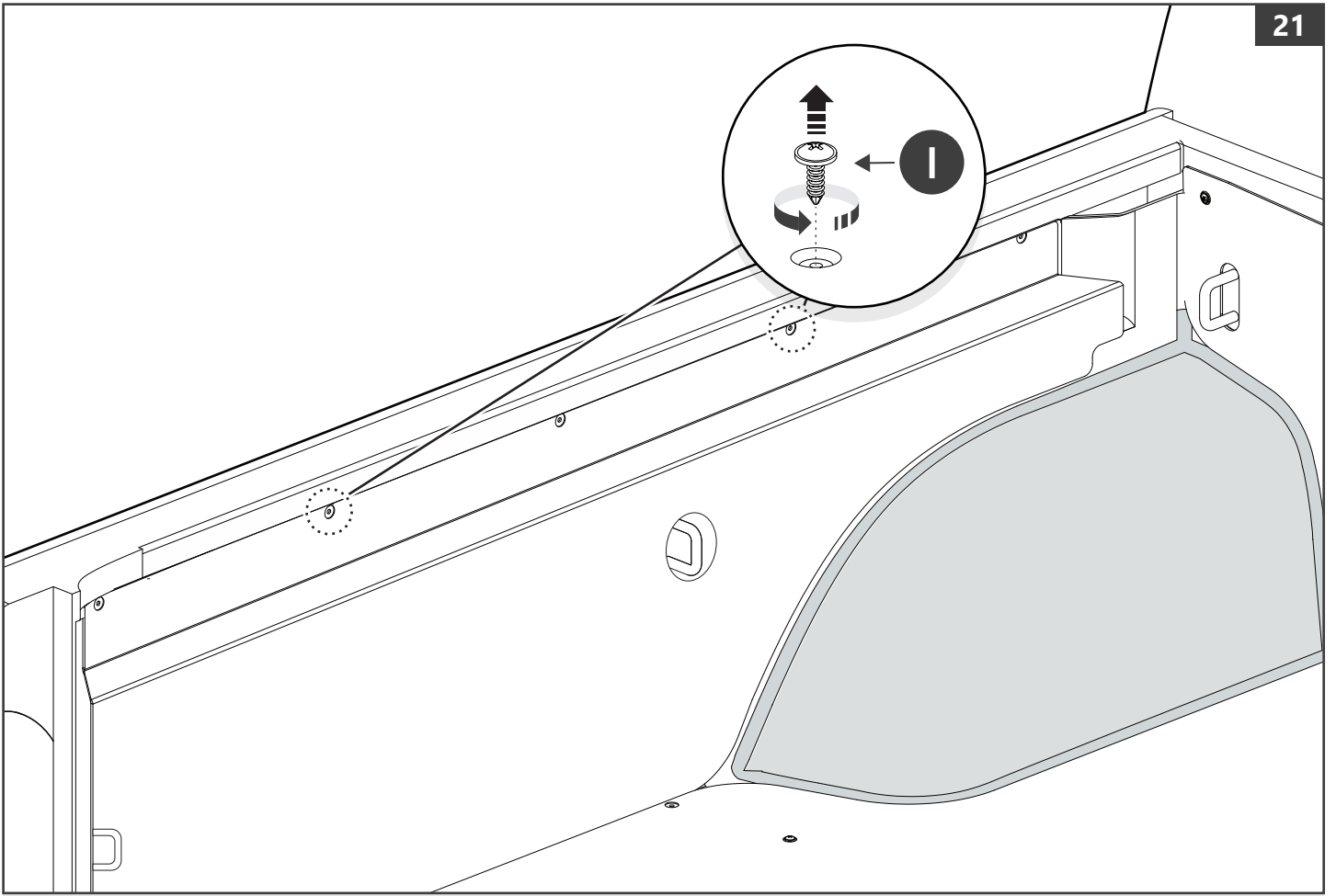


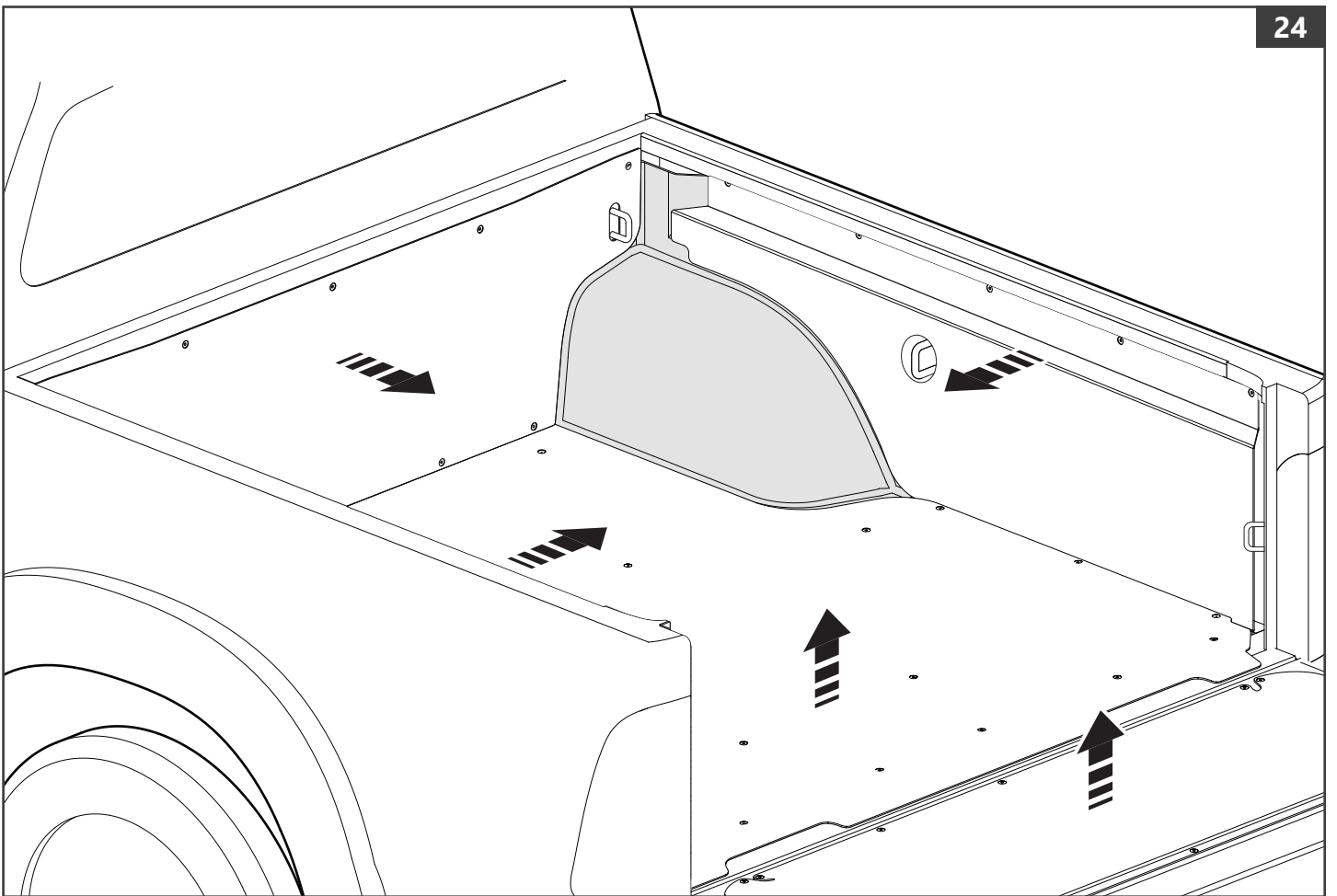
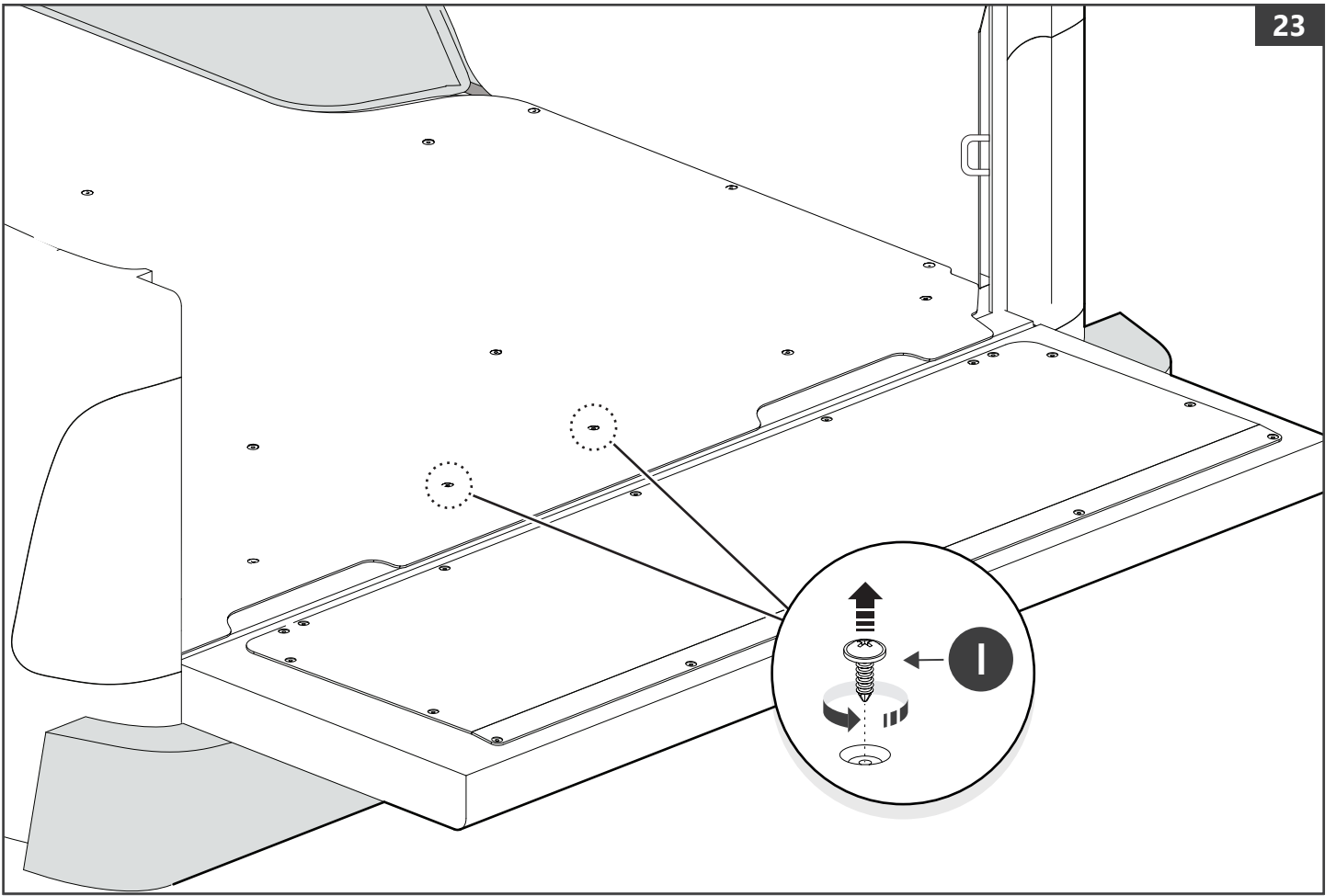


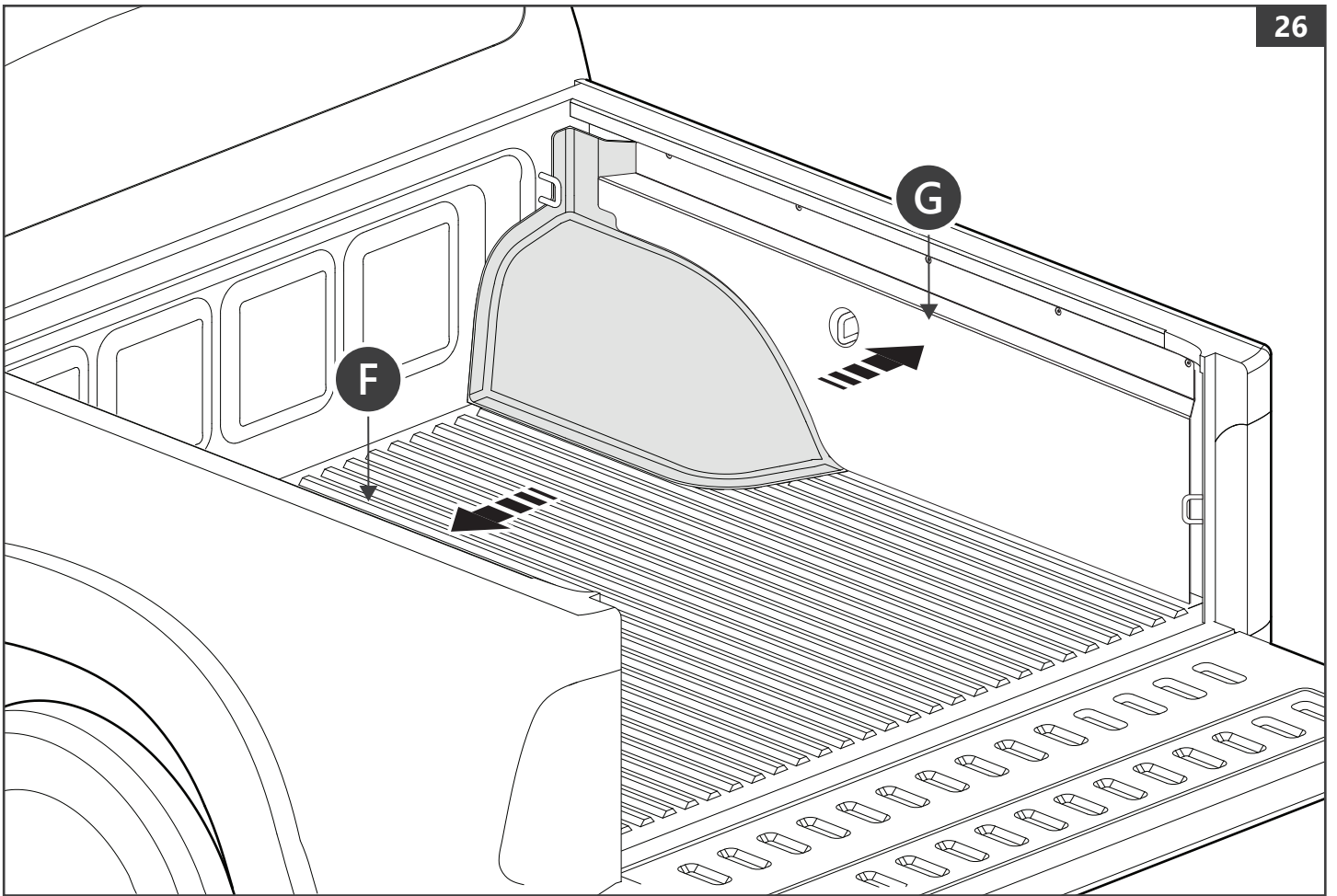
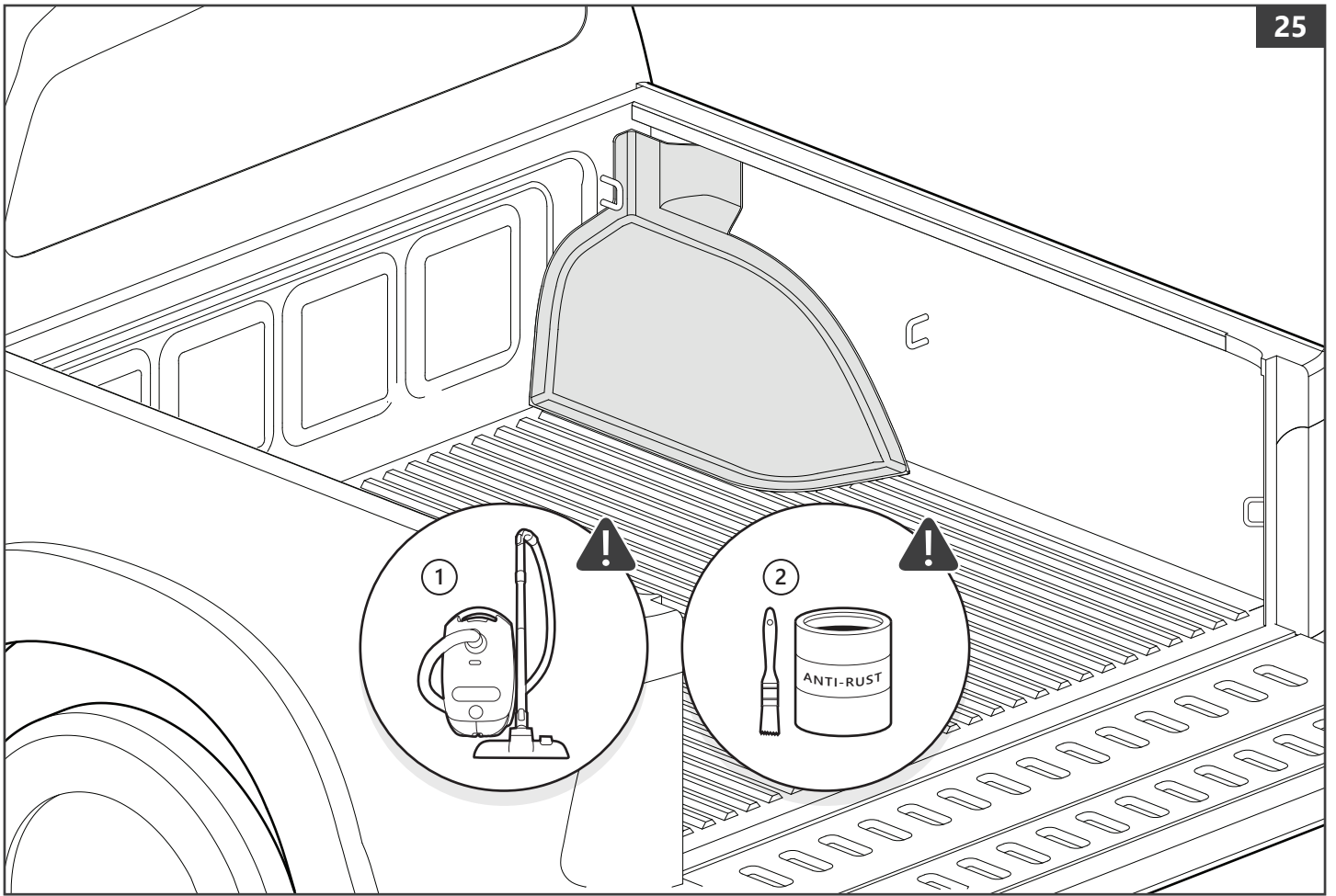




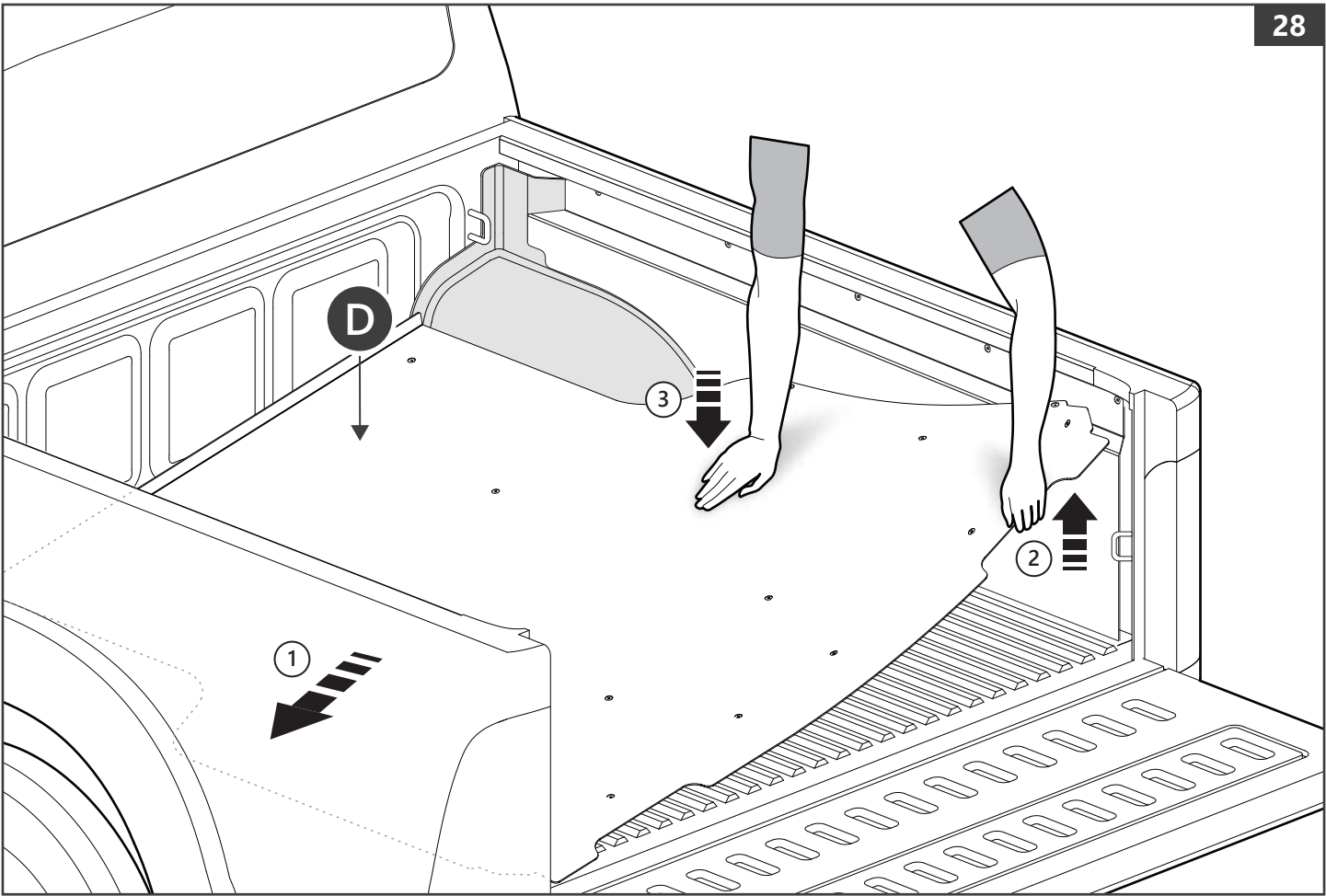
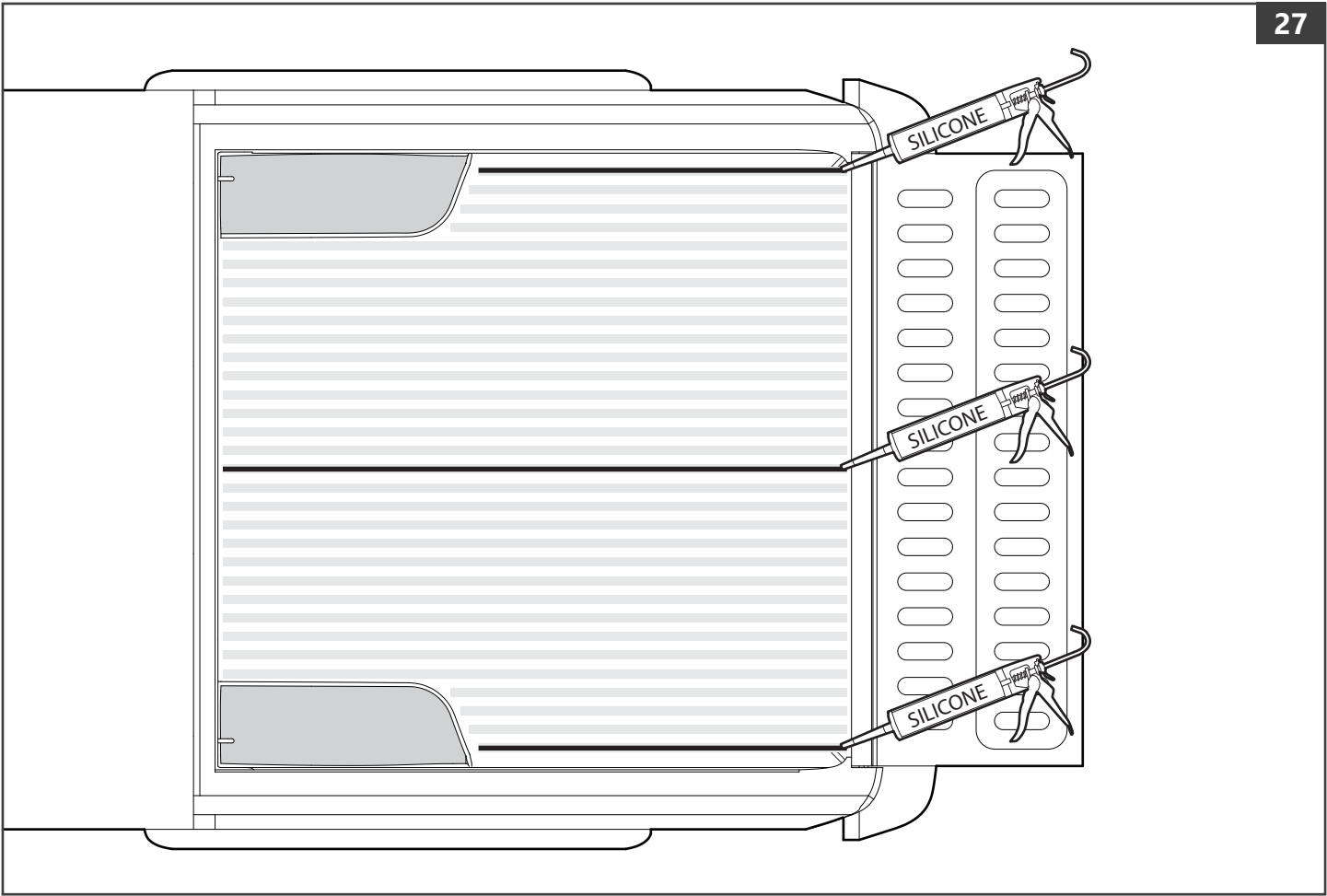


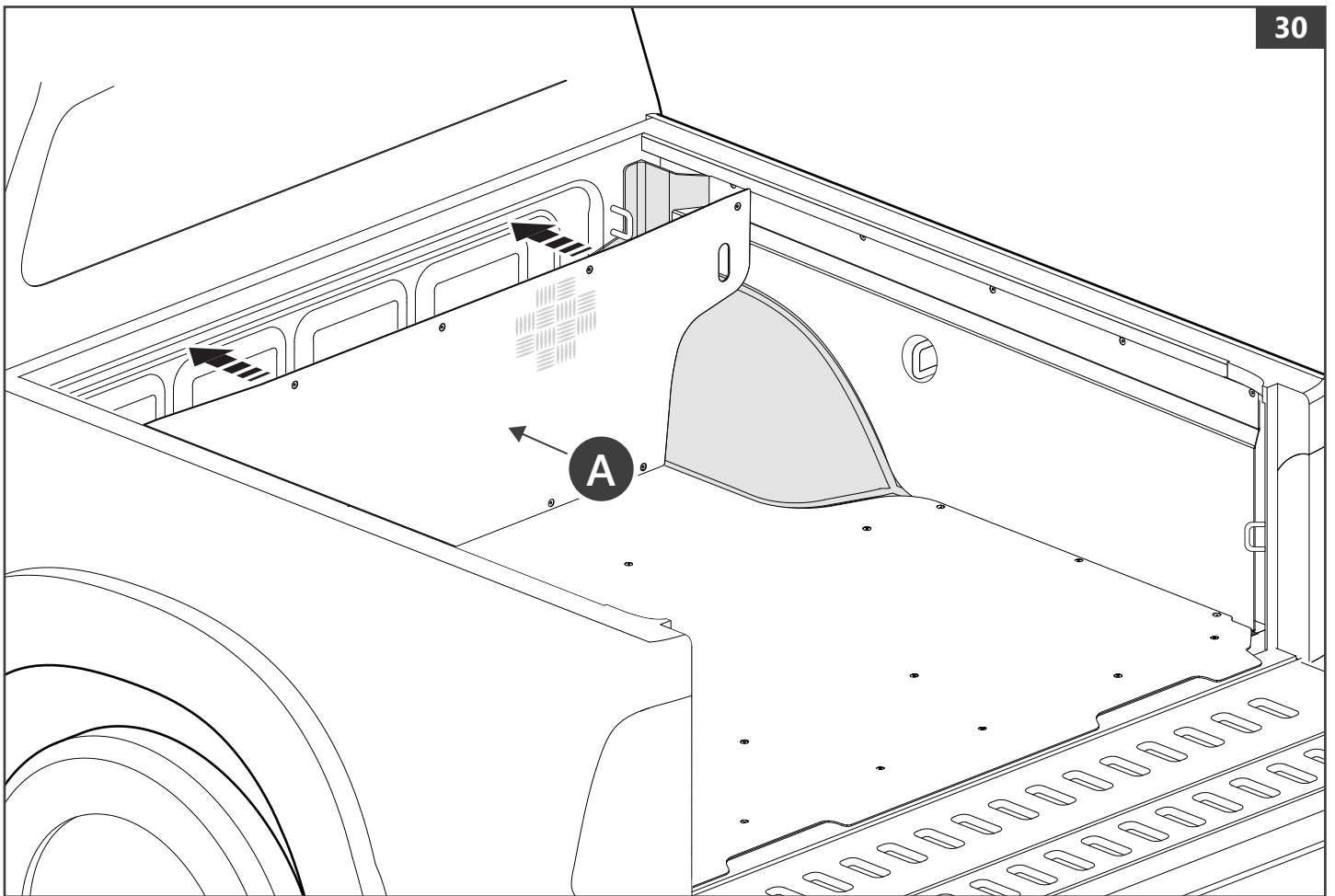
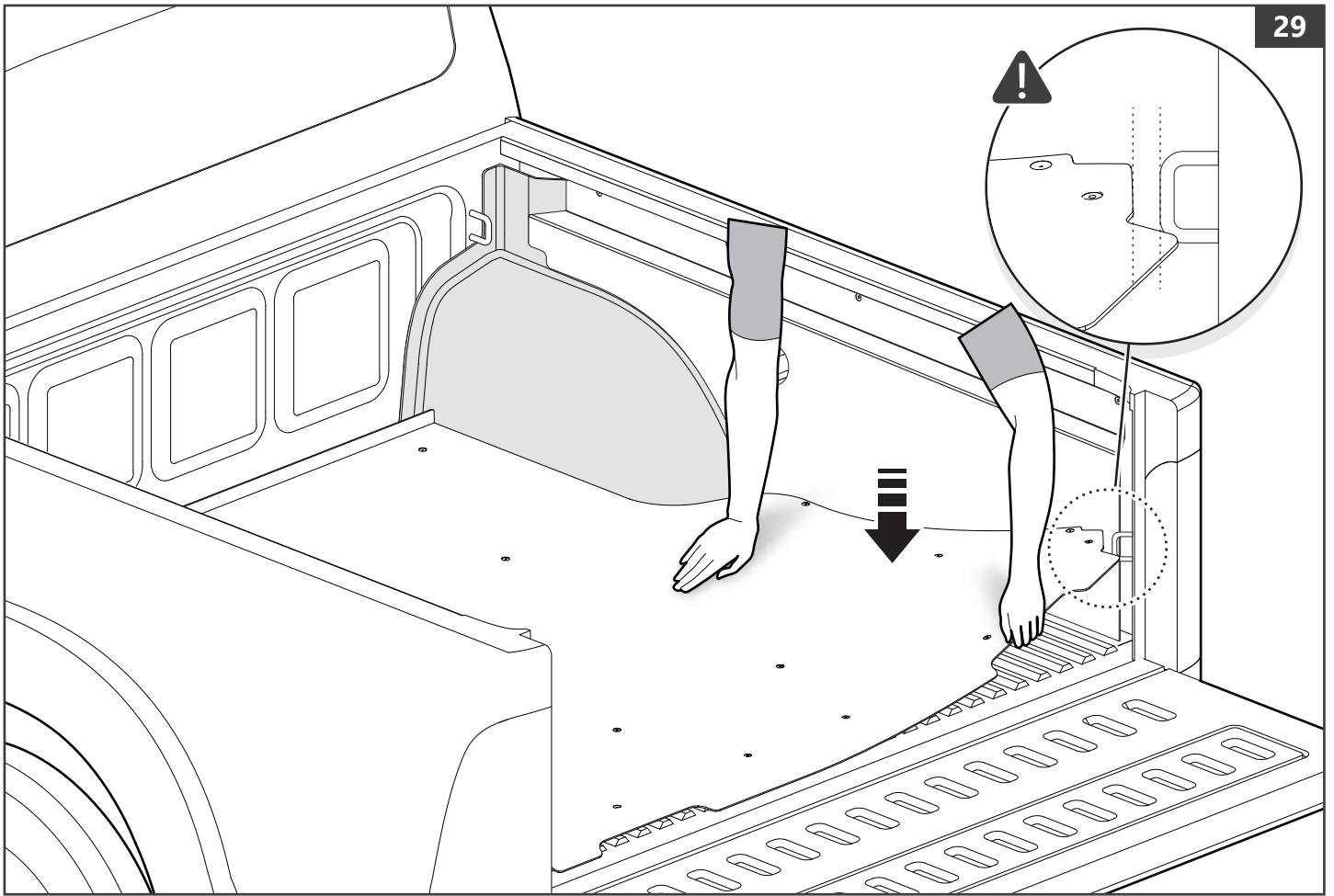


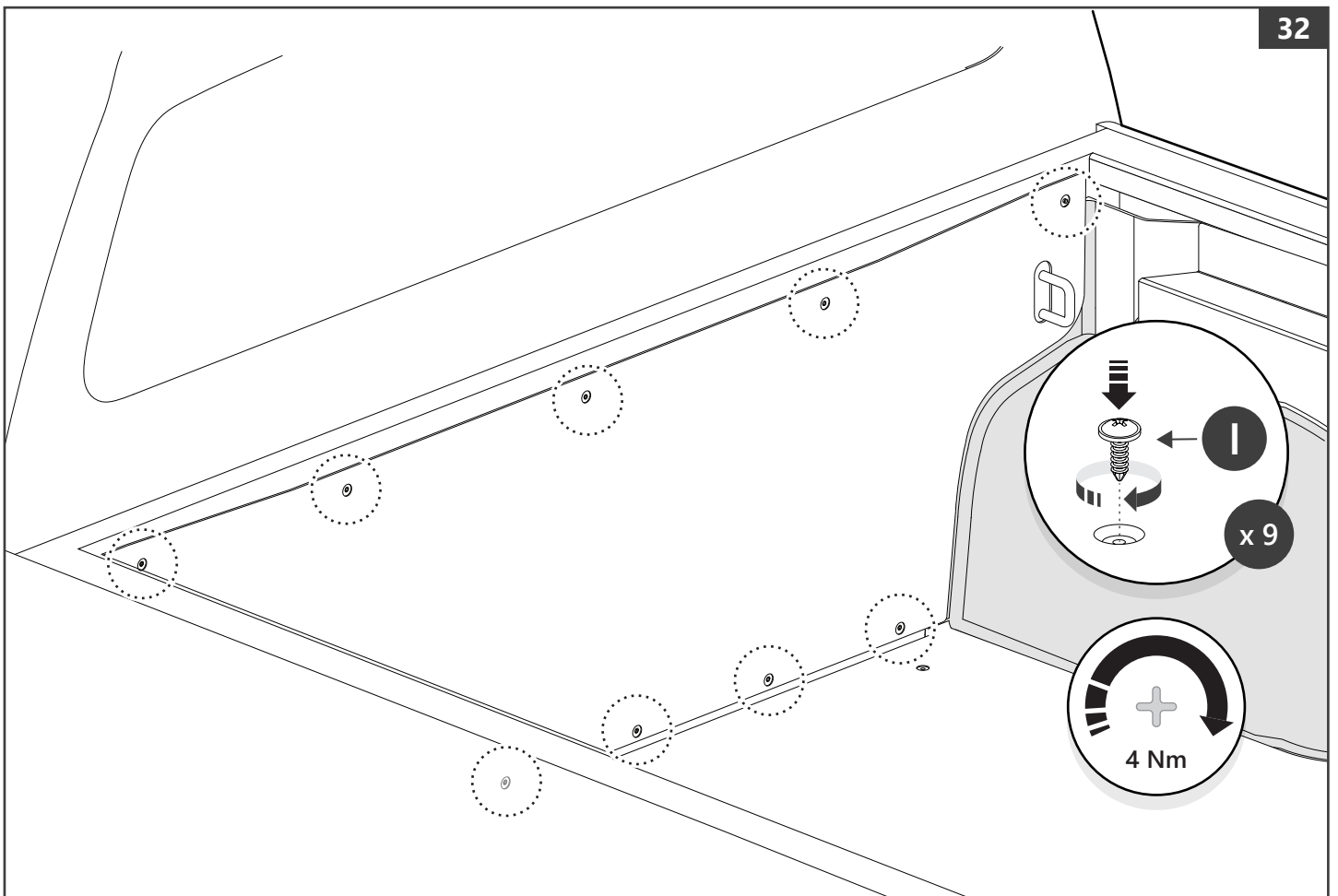
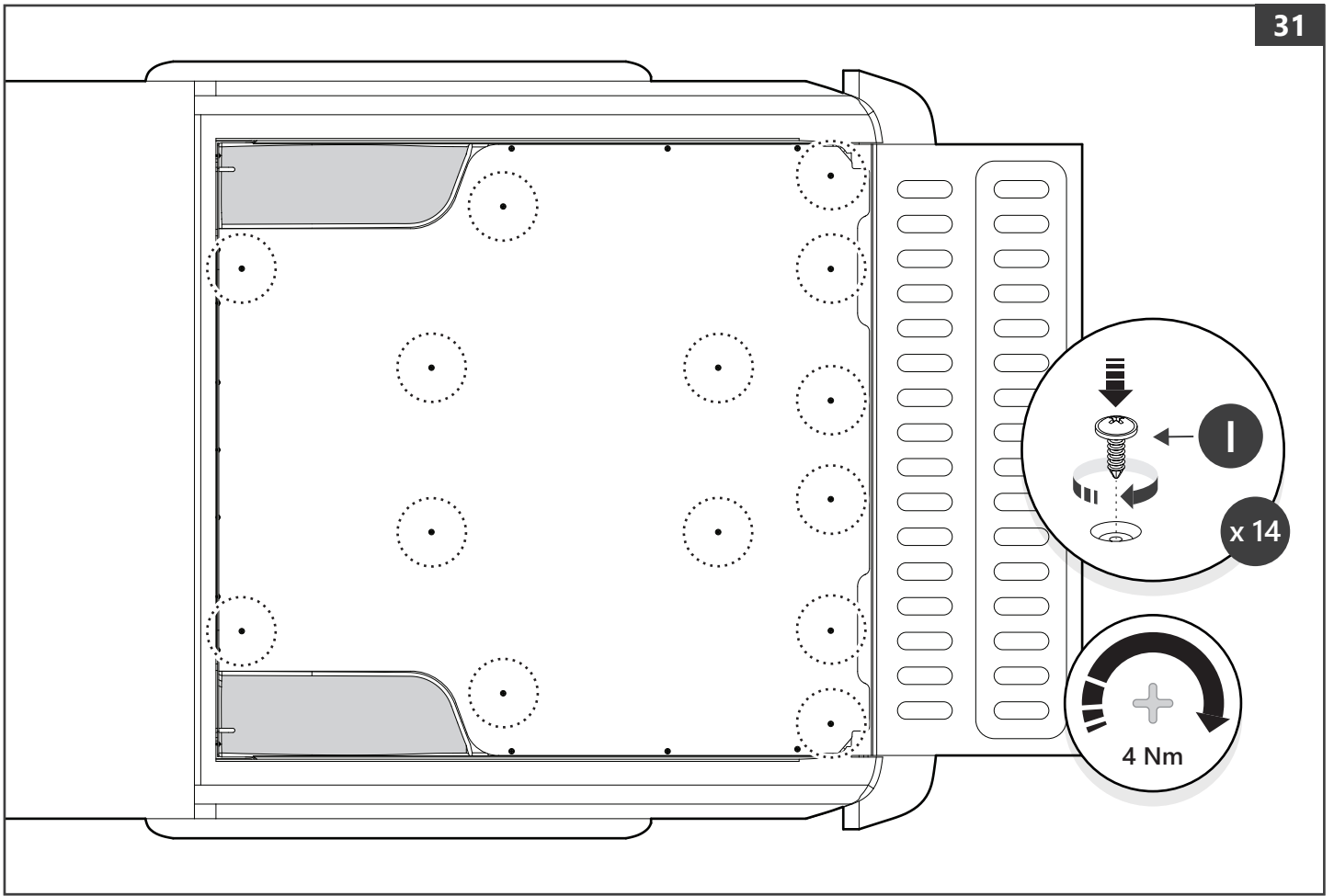


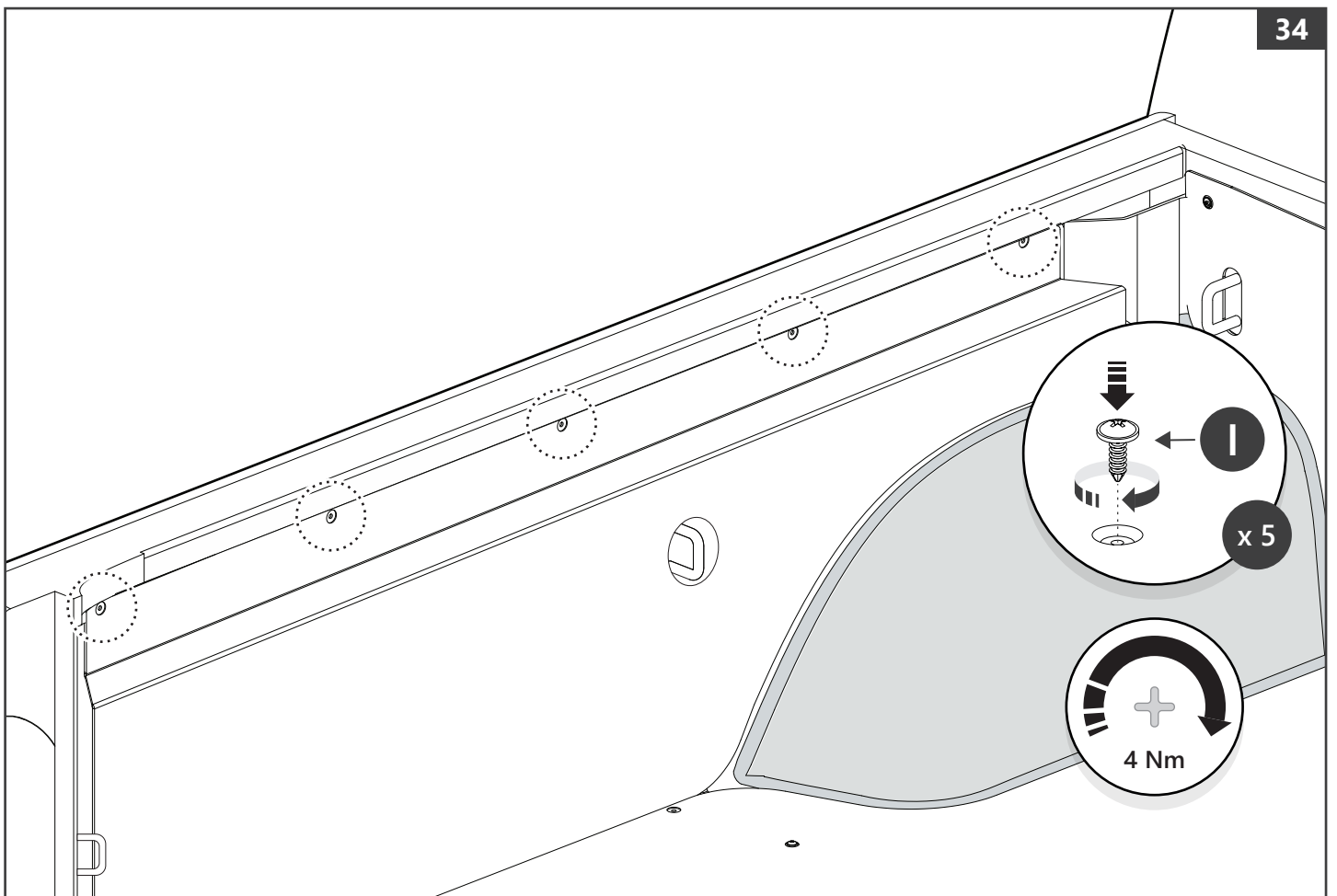
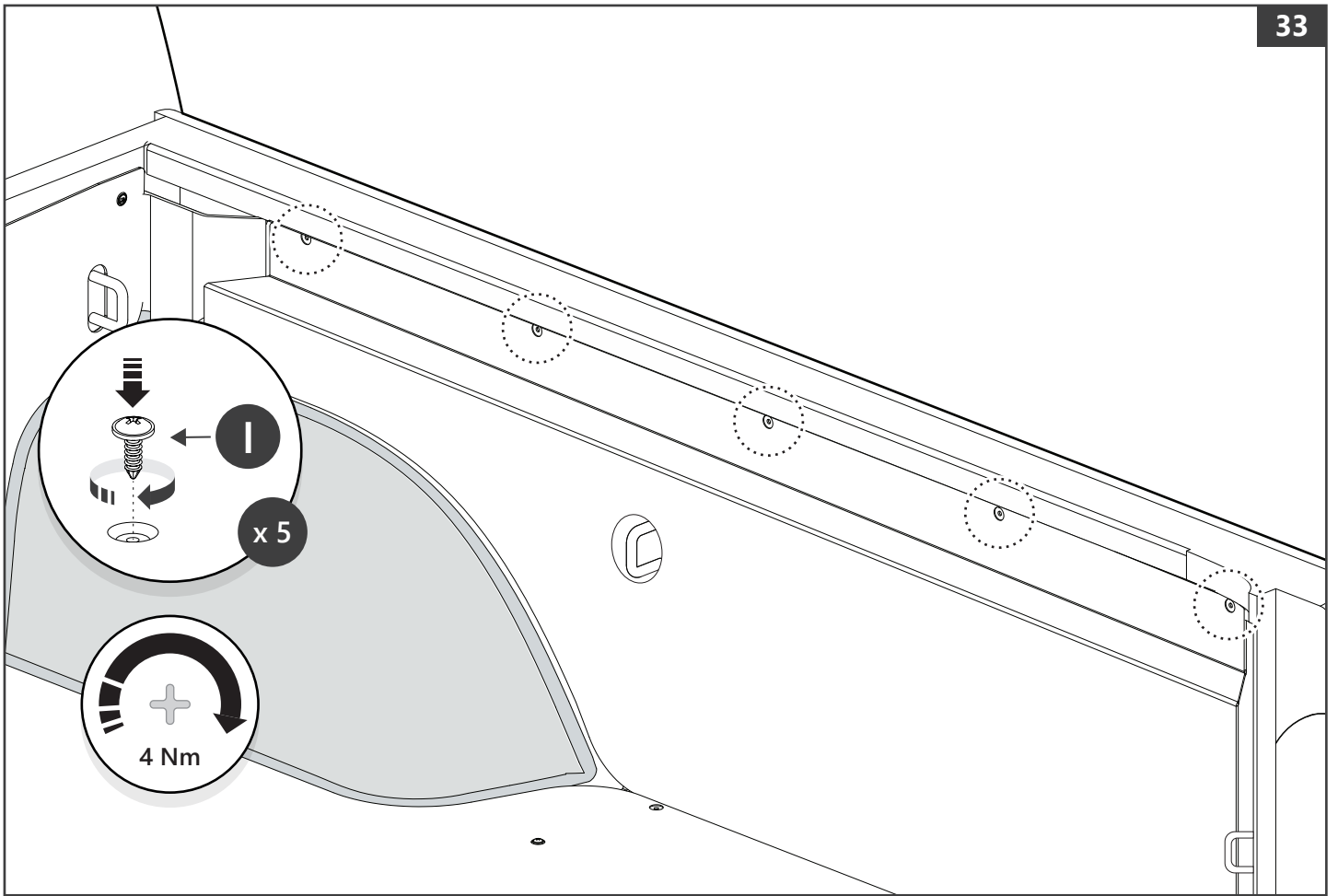


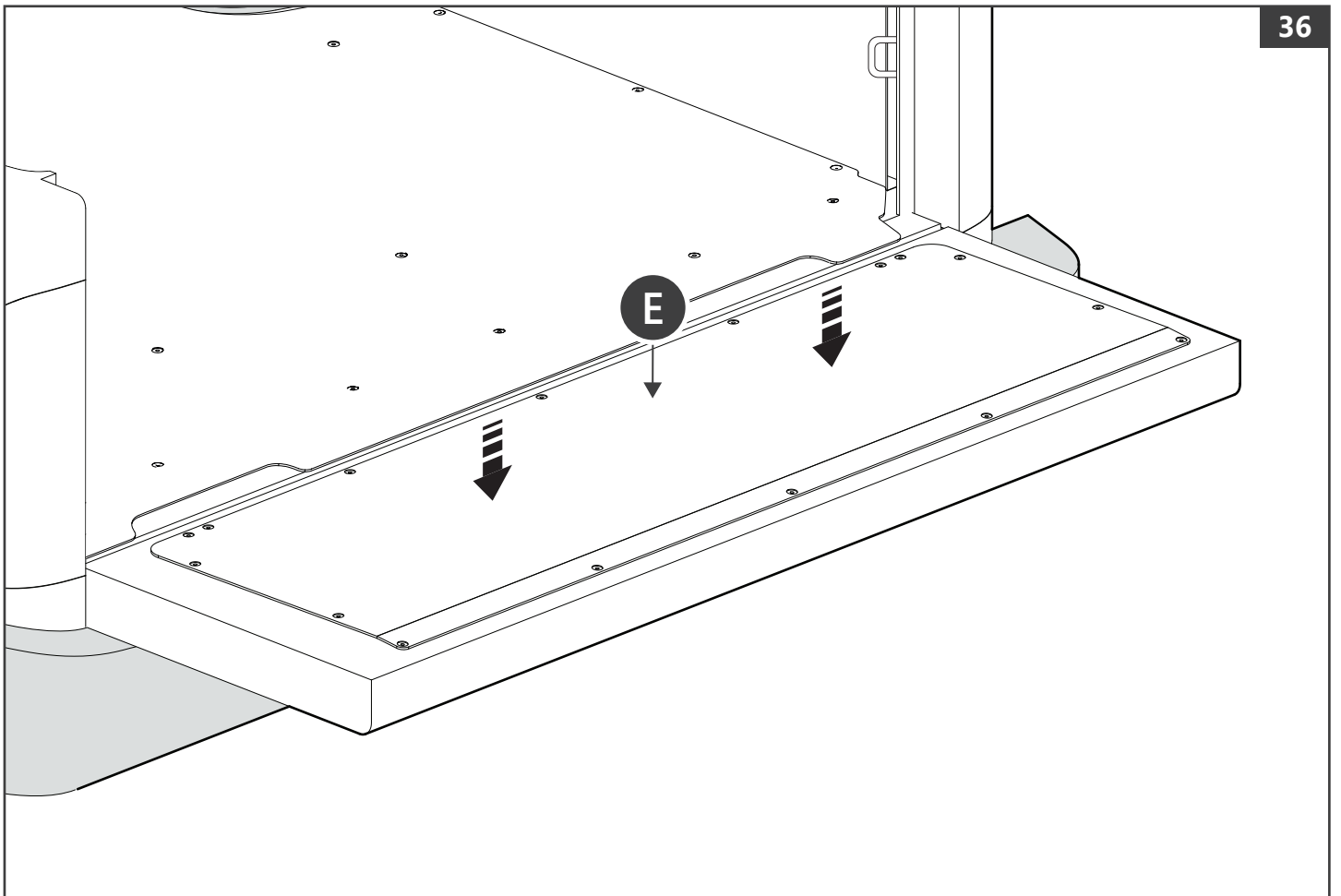
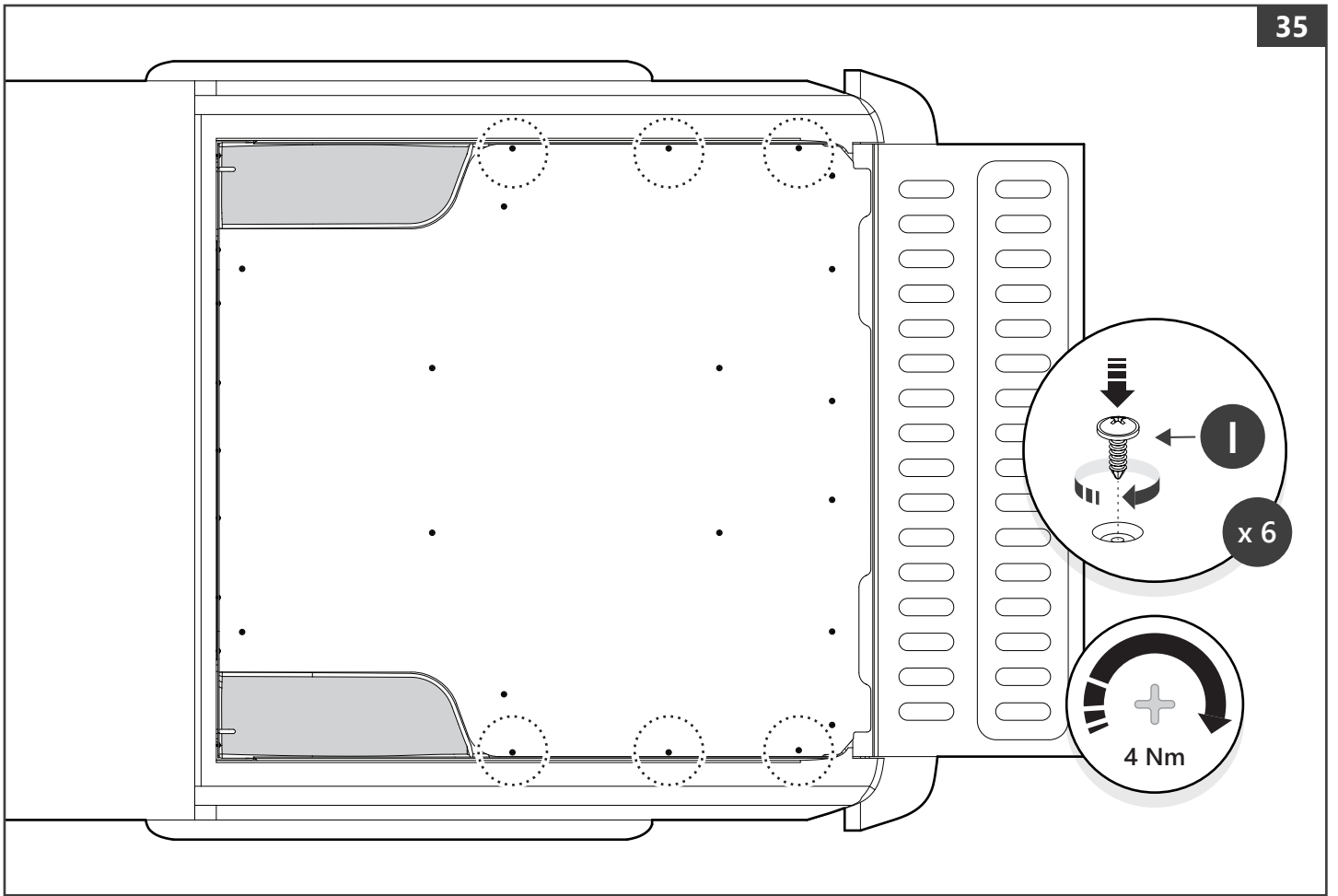


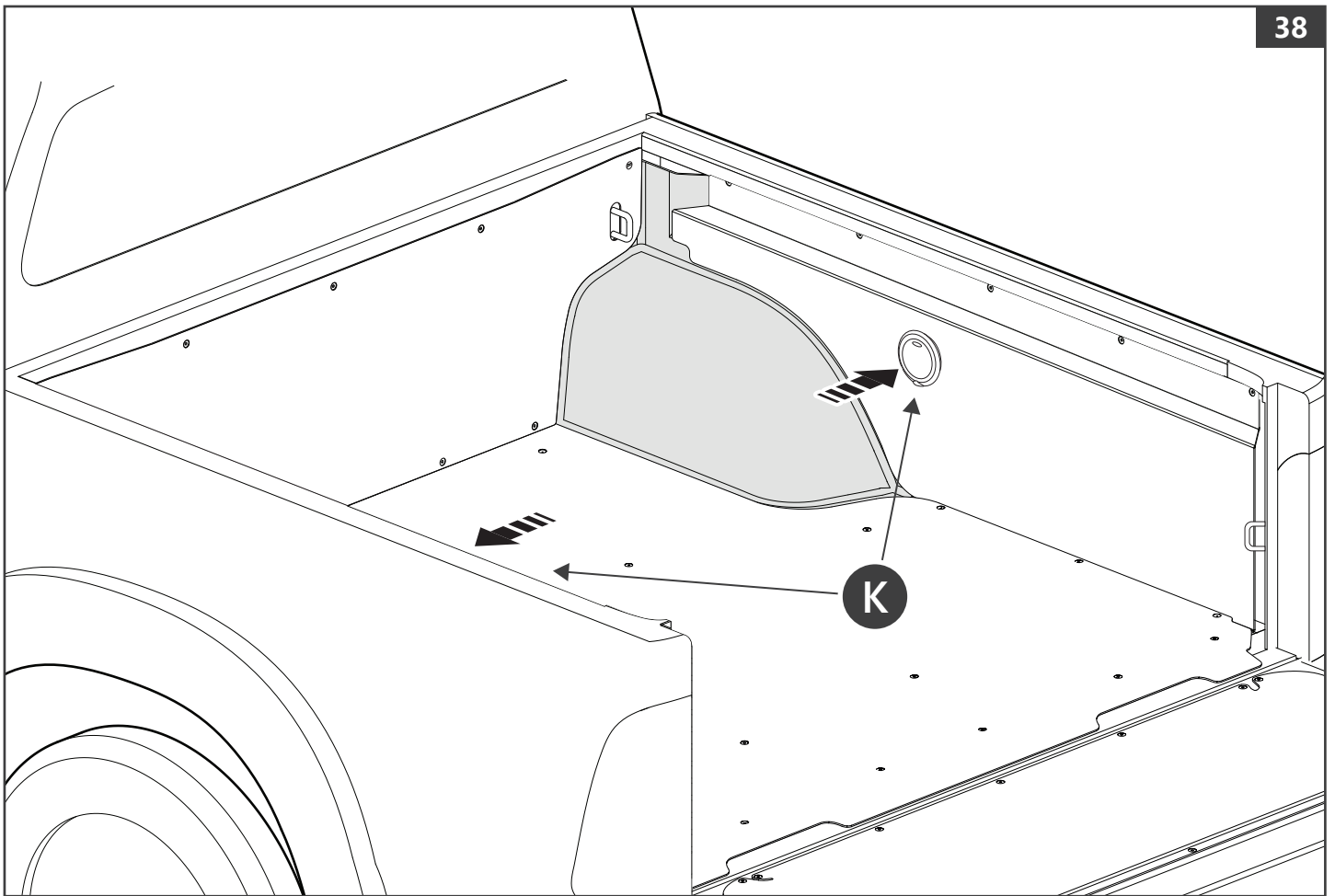
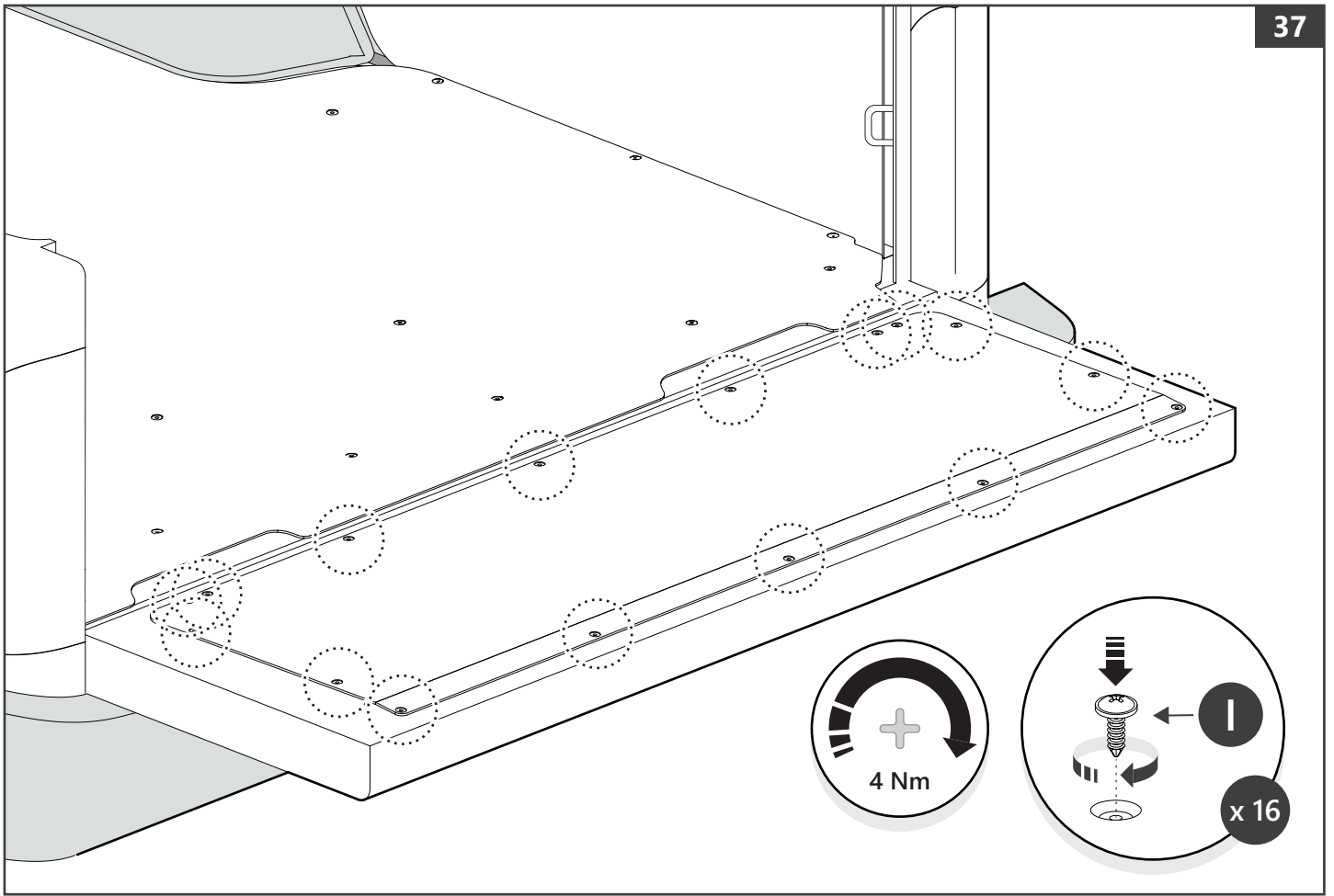
















Customer Service +45 4810 2950 (08:00 - 16:00 CET)  
Fax +45 4810 2960  
Support [info@mountaintop.dk](mailto:info@mountaintop.dk)  
Website [www.mountaintop.dk](http://www.mountaintop.dk)  
Address Pedersholmparken 10, 3600 Frederikssund, Denmark

PART NUMBER(S)	MODEL / YEAR	CAB TYPE(S)	INSTALLATION TIME	WEIGHT
AL MI90	Mitsubishi L200 / 2015 →	Double	1 hour(s)	25 Kg
AL MI90	Fiat Fullback / 2016 →	Double	1 hour(s)	25 Kg

<b>GB</b> Installation manual	<b>S</b> Monteringsanvisning	<b>D</b> Einbauanleitung
<b>SF</b> Asennusohje	<b>E</b> Instrucciones de montaje	<b>CZ</b> Návod k instalaci
<b>F</b> Notice de montage	<b>H</b> Szerelési utasítás	<b>I</b> Istruzioni de montaggio
<b>PL</b> Instrukcja montażu	<b>P</b> Instruções de instalação	<b>GR</b> Οδηγίες Εγκατάστασης
<b>NL</b> Installatie-instructies	<b>RUS</b> Инструкция по установке	<b>DK</b> Monteringsvejledning
<b>TR</b> Montaj Talimatı	<b>N</b> Monteringsveiledning	<b>RO</b> Instructiuni de instalare